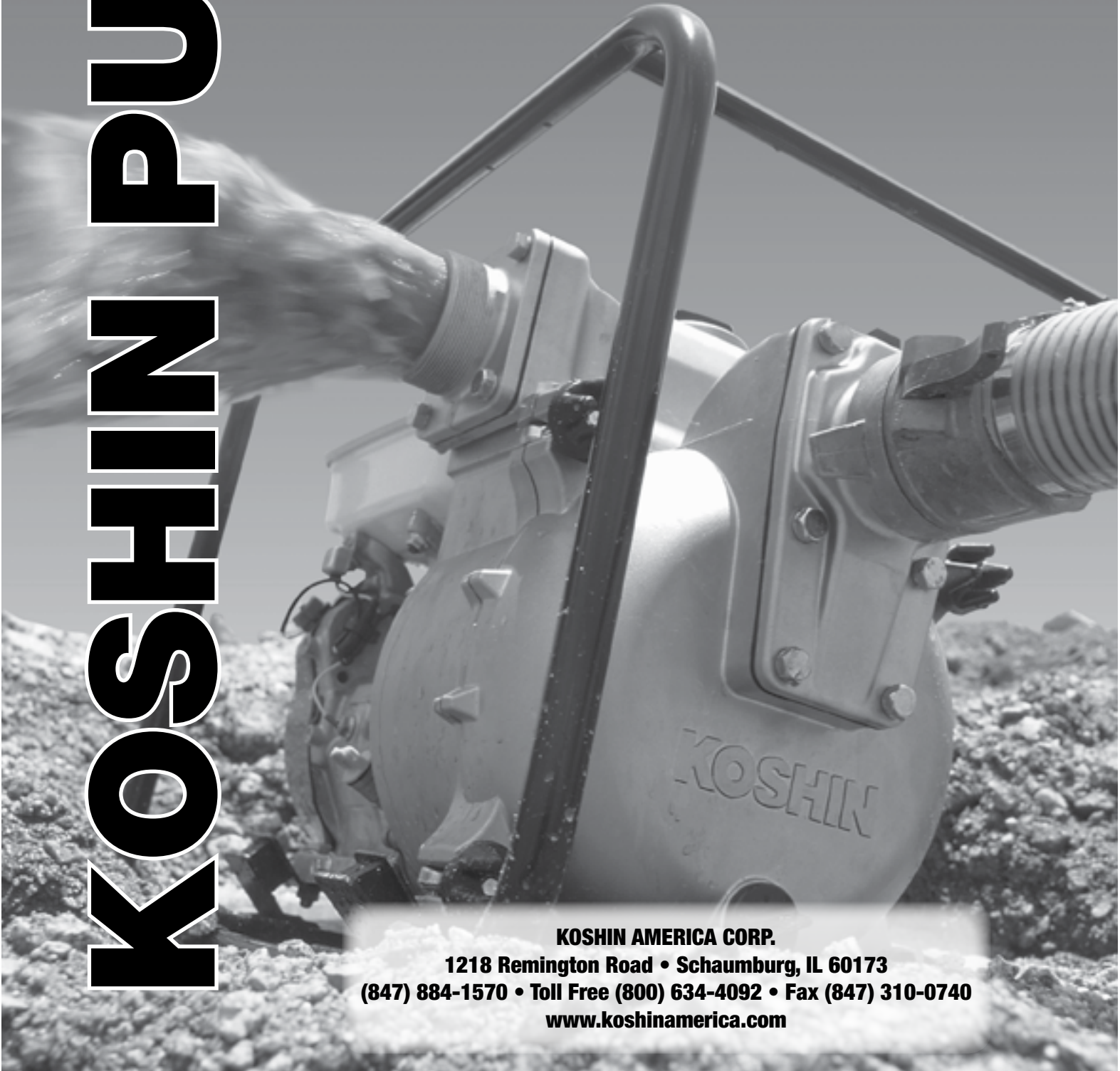
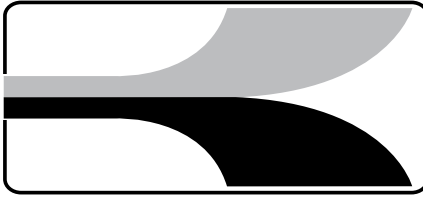


KOSHIN PUMP

PARTS LIST



KOSHIN AMERICA CORP.
1218 Remington Road • Schaumburg, IL 60173
(847) 884-1570 • Toll Free (800) 634-4092 • Fax (847) 310-0740
www.koshinamerica.com



KOSHIN PUMP

LIMITED WARRANTY

Koshin America Corp. warrants every Koshin Ltd. pump to be free of defects in workmanship or materials for a period of two years after being placed in service under normal operating conditions. Should trouble develop, call Koshin America, 800-634-4092, for a "Return Goods Authorization" (RGA) number. Return the complete pump, less oil and fuel, freight prepaid, for determination of warranty. If warranty is determined, the pump will be replaced or repaired at no charge.

Engines are not covered by this warranty, but are subject to the warranty of their respective manufacturers. This warranty does not apply to damage caused from normal wear and tear, accidents, misuse, abuse, alteration or negligence. Be sure to read the operating and maintenance instructions with your pump before operations.

There is no other express or implied warranty. To the extent permitted by law, any and all warranties, including those implied of merchantability or fitness for a particular purpose, are limited to the time period of above express warranty. This warranty does not cover incidental or consequential damages or expenses. Some states do not allow the exclusion or limitation of incidental or consequential damages or limitation on the length of an implied warranty, so the above limitation or exclusion may not apply to you. This warranty gives you specific legal rights. You may have other rights which vary from state to state.

Koshin reserves the right to change or improve its pumps without incurring any obligations to make such changes or improvements on products previously purchased.

TERMS AND CONDITIONS

Prices do not include the cost of service, labor or freight.

Payment terms are net 30 days to accounts who have established a good standing credit with Koshin. All other orders will be shipped C.O.D.

Misordered parts or other return goods are subject to a 15% restocking charge.



KOSHIN PUMP

TABLE OF CONTENTS

Centrifugal Pumps

| | | |
|--------------|----------------------|---|
| SEH-25L-BAB | 1" Suction/Discharge | 2 |
| SEM-25E-BAA | 1" Suction/Discharge | 3 |
| SEH-50X-BAJ | 2" Suction/Discharge | 4 |
| SE-50EX-BAB | 2" Suction/Discharge | 5 |
| SEH-80X-BAF | 3" Suction/Discharge | 6 |
| SE-80EX-BAB | 3" Suction/Discharge | 7 |
| SEH-100X-BAF | 4" Suction/Discharge | 8 |
| PGH-50-BAA | 2" Suction/Discharge | 9 |

High Pressure Pumps

| | | |
|--------------|------------------------------|----|
| SEM-50V-BAH | 2" Suction/Discharge | 10 |
| SERM-50V | 2" Suction/1" & 2" Discharge | 11 |
| SERH-50B-BAA | 2" Suction/Discharge | 12 |

Semi-Trash Pumps

| | | |
|-------------|------------------------------------|----|
| SEH-50T-BCM | 2" Suction/Discharge (SEH-50X-BCM) | 13 |
| SEH-80T-BCF | 3" Suction/Discharge (SEH-80X-BCF) | 14 |

Trash Pumps

| | | |
|----------------|----------------------|----|
| KTH-50X-BAA | 2" Suction/Discharge | 15 |
| KTH-80X-BAA | 3" Suction/Discharge | 16 |
| KTH-100X-BAA-0 | 4" Suction/Discharge | 17 |

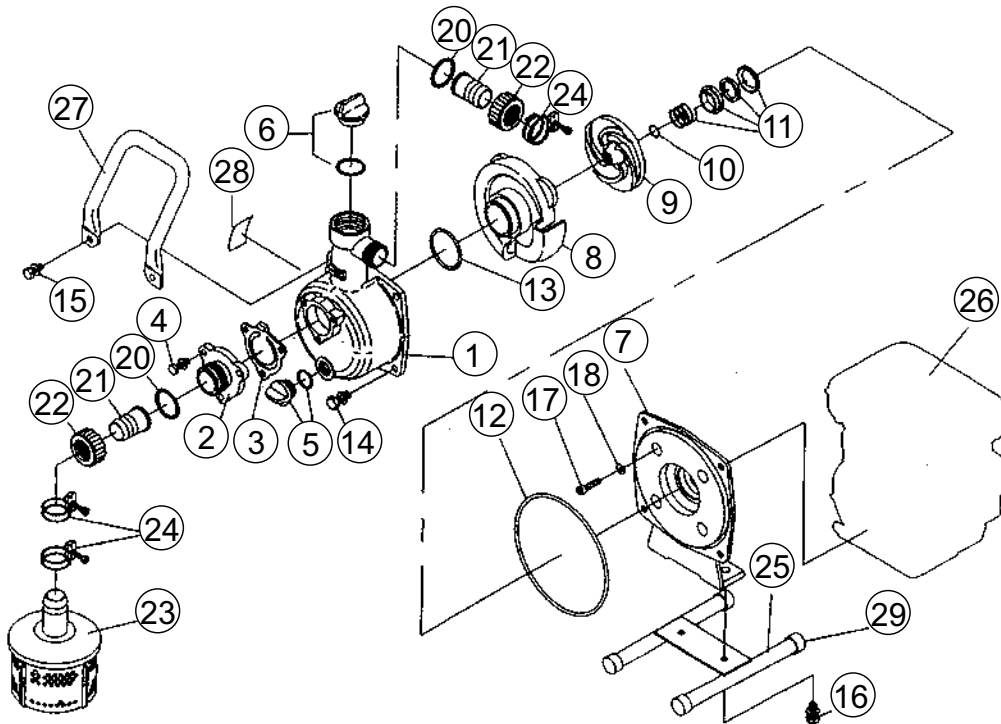
Submersible Pumps

| | | |
|-----------------|--------------------|----|
| PX-65011-BAC | 2" Discharge | 18 |
| PS-65011-BAB-0 | 2" Discharge | 19 |
| PS-65011-CR-BAB | 2" Discharge | 20 |
| PB-65011-BAB | 2" Discharge | 21 |
| PB7-65011-BAB | 2" Discharge | 22 |
| PKS-65011-BAB-0 | 2" Discharge | 23 |
| PKS-65011-CR | 2" Discharge | 24 |
| PXL-65011-BAB | 3/4", 2" Discharge | 25 |
| NSM-62011-BAB | 3/4" Discharge | 26 |
| SM-62511-BAB | 1-1/4" Discharge | 27 |

Barrel Pumps

| | | |
|-----------|----------------|----|
| SB-25-BAG | 1" Discharge | 28 |
| SB-20-BAA | 3/4" Discharge | 29 |

SEH-25L-BAB

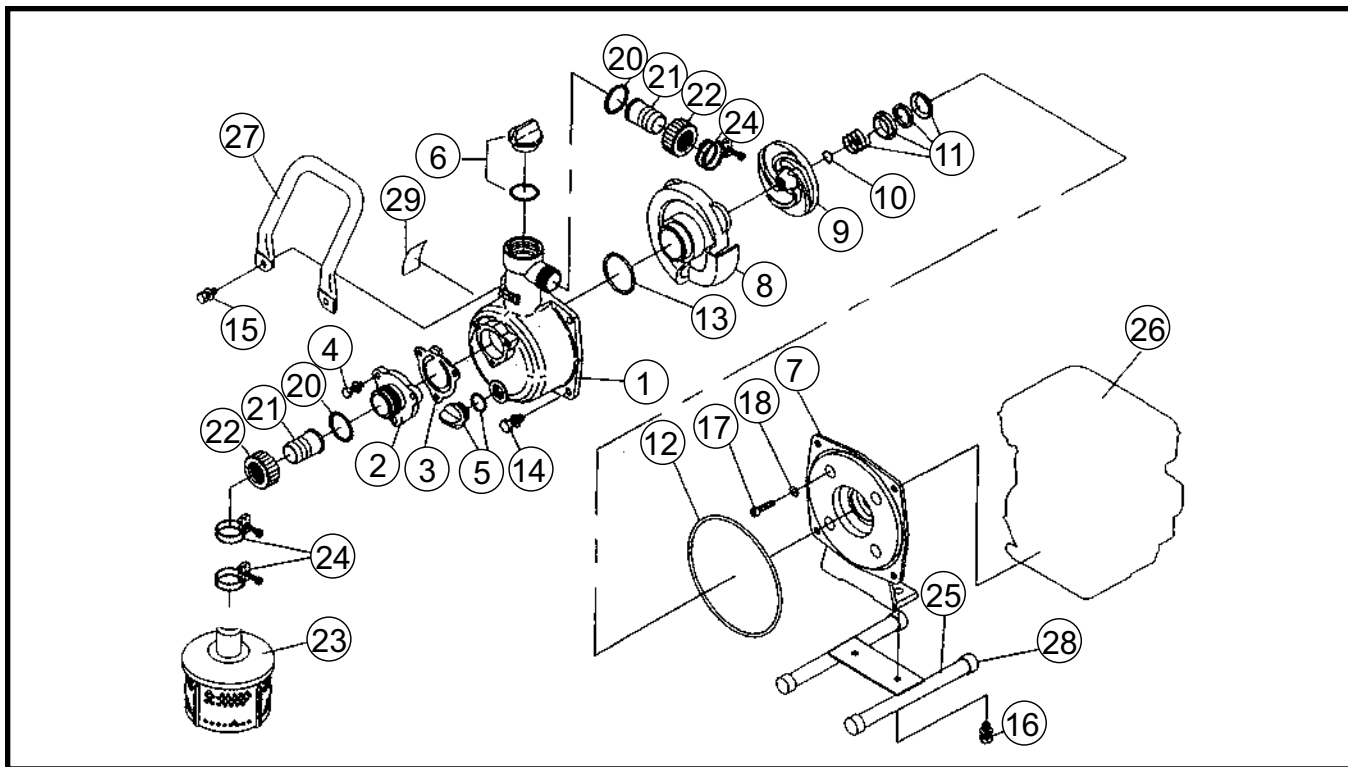


**1" CENTRIFUGAL
HONDA GX25 1.1 HP**



| REF NO. | PART NO. | DESCRIPTION | QTY. |
|---------|-----------|-----------------------------|------|
| 1 | 0113329 | PUMP CASING | 1 |
| 2 | 0113325 | SUCTION FLANGE | 1 |
| 3 | 0113326 | CHECK VALVE | 1 |
| 4 | 743119032 | HEXAGON BOLT M6 x 20 | 3 |
| 5 | 0148010 | 15A PLUG SET | 1 |
| 6 | 0118450 | 32A PLUG SET | 1 |
| 7 | 0114992 | FLANGE BRACKET | 1 |
| 8 | 0112528 | VOLUTE CASING | 1 |
| 9 | 0114993 | IMPELLER | 1 |
| 10 | 0113944 | ADJUSTING WASHER | 3 |
| 11 | 0140273 | MECHANICAL SEAL | 1 |
| 12 | 890255031 | O-RING | 1 |
| 13 | 889855042 | O-RING | 1 |
| 14 | 743119045 | HEXAGON BOLT M8 x 20 | 2 |
| 15 | 743119046 | HEXAGON BOLT M8 x 22 | 2 |
| 16 | 743119043 | HEXAGON BOLT M8 x 16 | 2 |
| 17 | 734532274 | HEXAGON SOCKET BOLT M5 x 40 | 4 |
| 18 | 854255005 | SEAL WASHER | 4 |
| 20 | 0340065 | GASKET | 2 |
| 21 | 0340782 | HOSE NIPPLE | 2 |
| 22 | 0370781 | COUPLING | 2 |
| 23 | 0118193 | STRAINER | 1 |
| 24 | 940019032 | HOSE BAND | 3 |
| 25 | 0118267 | BASE SET | 1 |
| 26 | | ENGINE | 1 |
| 27 | 0114277 | HANDLE | 1 |
| 28 | | NAME PLATE | 1 |
| 29 | 0112576 | PIPE RUBBER COVER | 4 |
| 30 | 0120424 | 1" to 3/4" ADAPTER* | 1 |

* Not shown in exploded view.



| REF NO. | PART NO. | DESCRIPTION | QTY. |
|---------|-----------|-----------------------------|------|
| 1 | 0113329 | PUMP CASING | 1 |
| 2 | 0113325 | SUCTION FLANGE | 1 |
| 3 | 0113326 | CHECK VALVE | 1 |
| 4 | 743119032 | HEXAGON BOLT M6 x 20 | 3 |
| 5 | 0148010 | 15A PLUG SET | 1 |
| 6 | 0118450 | 32A PLUG SET | 1 |
| 7 | 0120087 | FLANGE BRACKET | 1 |
| 8 | 0112528 | VOLUTE CASING | 1 |
| 9 | 0120153 | IMPELLER | 1 |
| 10 | 0113944 | ADJUSTING WASHER | 3 |
| 11 | 0116054 | MECHANICAL SEAL | 1 |
| 12 | 890255031 | O-RING | 1 |
| 13 | 889855042 | O-RING | 1 |
| 14 | 743119045 | HEXAGON BOLT M8 x 20 | 2 |
| 15 | 743119046 | HEXAGON BOLT M8 x 22 | 2 |
| 16 | 743119043 | HEXAGON BOLT M8 x 16 | 2 |
| 17 | 734532268 | HEXAGON SOCKET BOLT M5 x 45 | 4 |
| 18 | 854255005 | SEAL WASHER | 4 |
| 20 | 0340065 | GASKET | 2 |
| 21 | 0340782 | HOSE NIPPLE | 2 |
| 22 | 0370781 | COUPLING | 2 |
| 23 | 0118193 | STRAINER SET | 1 |
| 24 | 940019032 | HOSE BAND | 3 |
| 25 | 0118267 | BASE SET | 1 |
| 26 | | ENGINE | 1 |
| 27 | 0114277 | HANDLE | 1 |
| 28 | 0112576 | PIPE RUBBER | 1 |
| 29 | | NAME PLATE | 1 |
| 30 | 0120424 | 1" to 3/4" ADAPTER* | 1 |

1" CENTRIFUGAL MITSUBISHI TLE20 0.8 HP

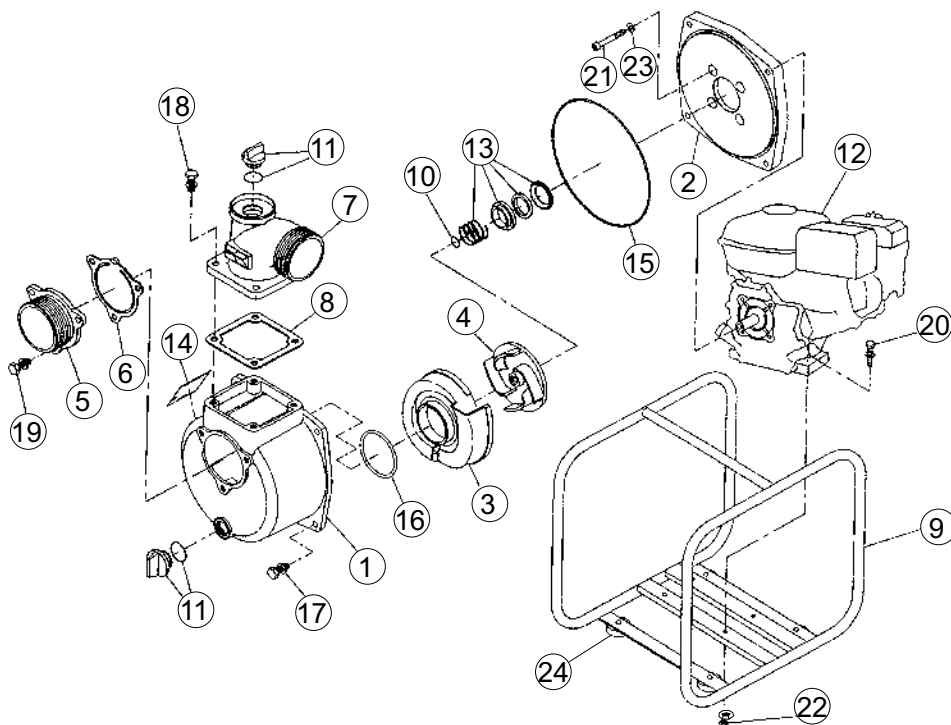


* Not shown in exploded view.

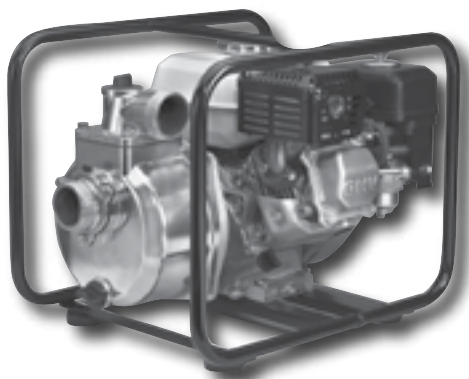


KOSHIN PUMP

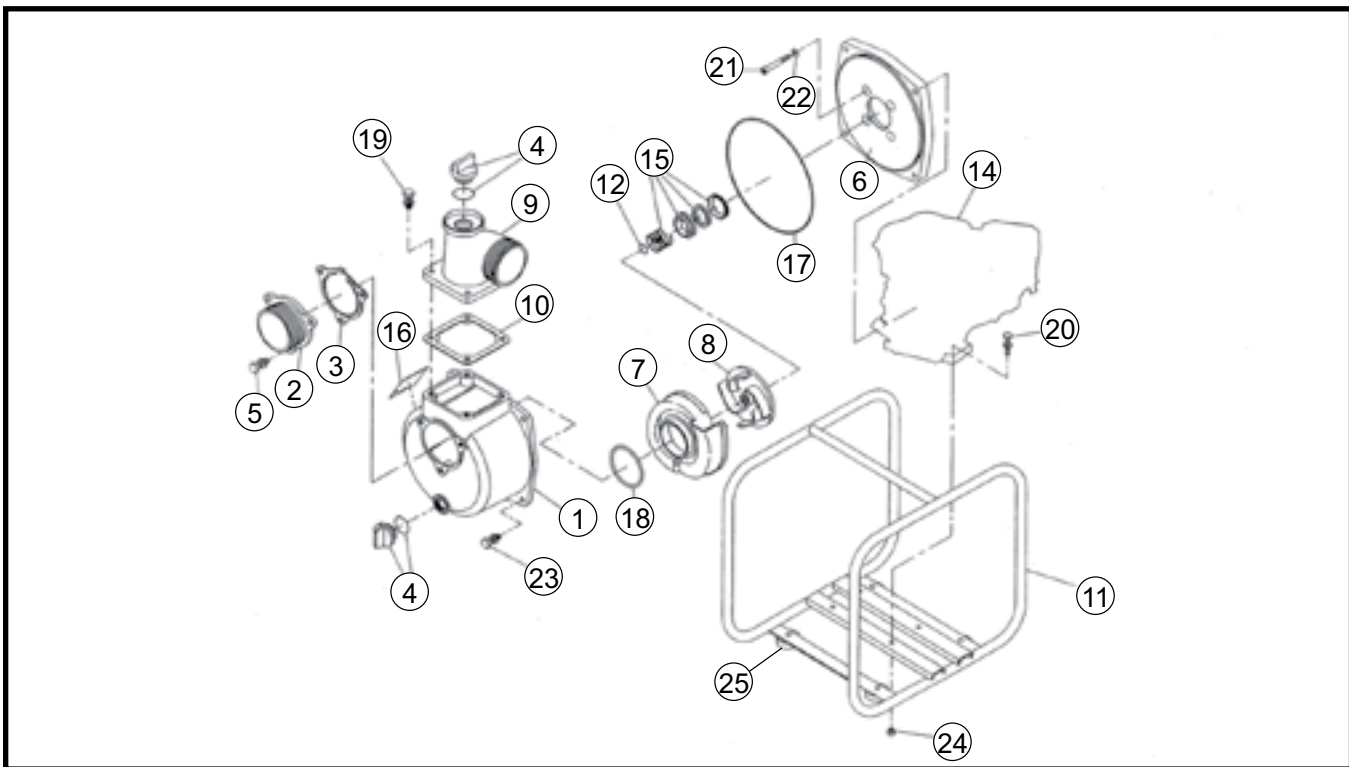
SEH-50X-BAJ



2" CENTRIFUGAL HONDA GX120 4.0 HP



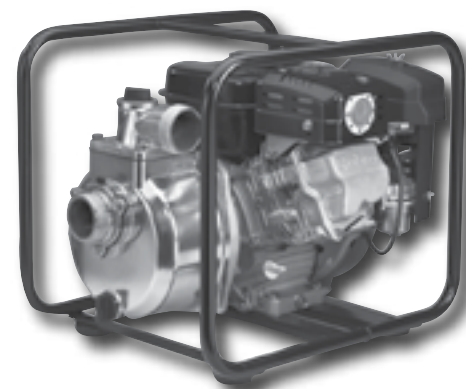
| REF NO. | PART NO. | DESCRIPTION | QTY. |
|---------|-----------|-------------------------|------|
| 1 | 0112578 | PUMP CASING | 1 |
| 2 | 0112579 | FLANGE BRACKET | 1 |
| 3 | 0114640 | VOLUTE CASING | 1 |
| 4 | 0113532 | IMPELLER | 1 |
| 5 | 0112822 | SUCTION FLANGE | 1 |
| 6 | 0112665 | CHECK VALVE | 1 |
| 7 | 0111359 | DELIVERY FLANGE | 1 |
| 8 | 0110541 | DELIVERY FLANGE GASKET | 1 |
| 9 | 0117158 | FRAME | 1 |
| 10 | 0110466 | ADJUSTING WASHER | 3 |
| 11 | 0118078 | 20 A PLUG SET | 2 |
| 12 | | ENGINE | 1 |
| 13 | 0110688 | MECHANICAL SEAL | 1 |
| 14 | | NAME PLATE | 1 |
| 15 | 0115014 | O-RING 1517-43 | 1 |
| 16 | 0112792 | O-RING P54 | 1 |
| 17 | 743119046 | HEX BOLT M8 x 22 | 4 |
| 18 | 743119047 | HEX BOLT M8 x 25 | 4 |
| 19 | 743119045 | HEX BOLT M8 x 20 | 3 |
| 20 | 743119051 | HEX BOLT M8 x 35 | 4 |
| 21 | 734532076 | HEX SOCKET BOLT M8 x 60 | 4 |
| 22 | 827419008 | HEX NUT M8 | 4 |
| 23 | 854255008 | SEAL WASHER M8 | 4 |
| 24 | 0110515 | RUBBER FOOT | 4 |



SE-50EX-BAB

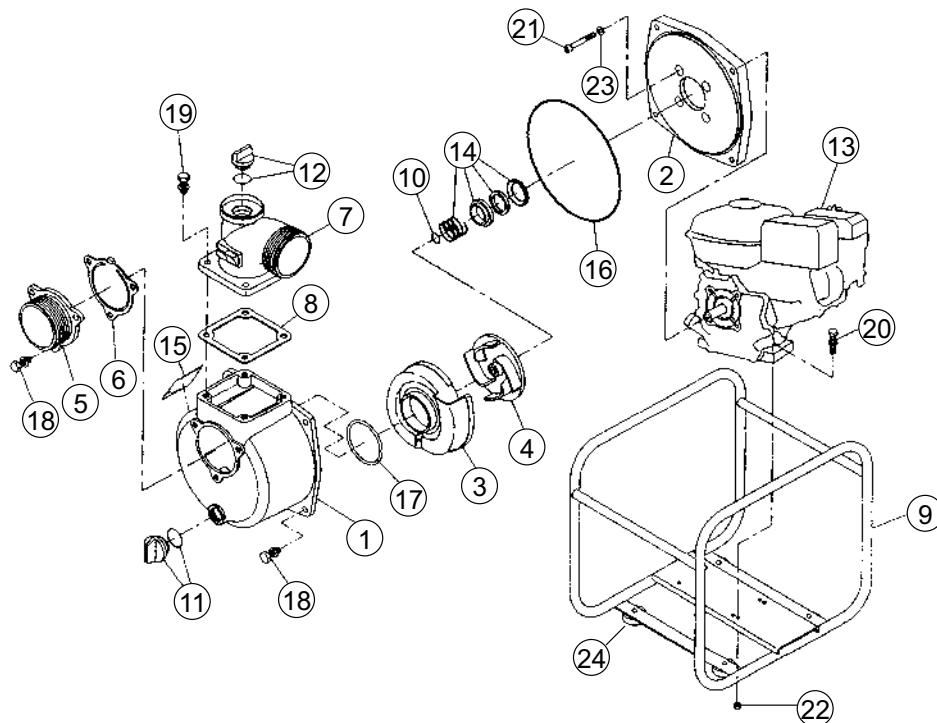
2" CENTRIFUGAL ROBIN EX13 4.5 HP

| REF NO. | PART NO. | DESCRIPTION | QTY. |
|---------|-----------|-------------------------|------|
| 1 | 0112578 | PUMP CASING | 1 |
| 2 | 0112822 | SUCTION FLANGE | 1 |
| 3 | 0112665 | CHECK VALVE | 1 |
| 4 | 0118078 | 20 A PLUG SET | 2 |
| 5 | 743119045 | HEX BOLT M8 x 20 | 3 |
| 6 | 0112579 | FLANGE BRACKET | 1 |
| 7 | 0114640 | VOLUTE | 1 |
| 8 | 0113532 | IMPELLER | 1 |
| 9 | 0111359 | DELIVERY FLANGE | 1 |
| 10 | 0110541 | DELIVERY FLANGE GASKET | 1 |
| 11 | 0117876 | FRAME | 1 |
| 12 | 0110466 | ADJUSTING WASHER | 3 |
| 14 | | ENGINE | 1 |
| 15 | 0110688 | MECHANICAL SEAL | 1 |
| 16 | | NAME PLATE | 1 |
| 17 | 0115014 | O-RING 1517-43 | 1 |
| 18 | 0112792 | O-RING P54 | 1 |
| 19 | 743119047 | HEX BOLT M8 x 25 | 4 |
| 20 | 743119051 | HEX BOLT M8 x 35 | 4 |
| 21 | 734532076 | HEX SOCKET BOLT M8 x 60 | 4 |
| 22 | 854255008 | SEAL WASHER M8 | 4 |
| 23 | 743119046 | HEX BOLT M8 x 22 | 4 |
| 24 | 827419008 | HEX NUT M8 | 4 |
| 25 | 0110515 | RUBBER FOOT | 4 |

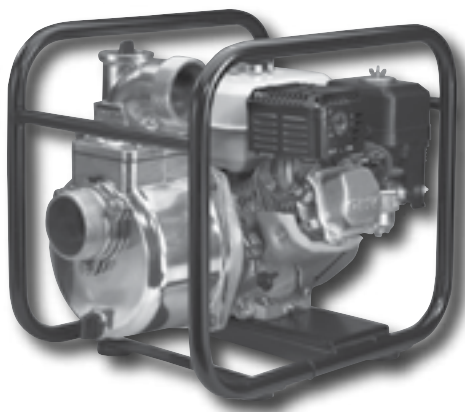


KOSHIN PUMP

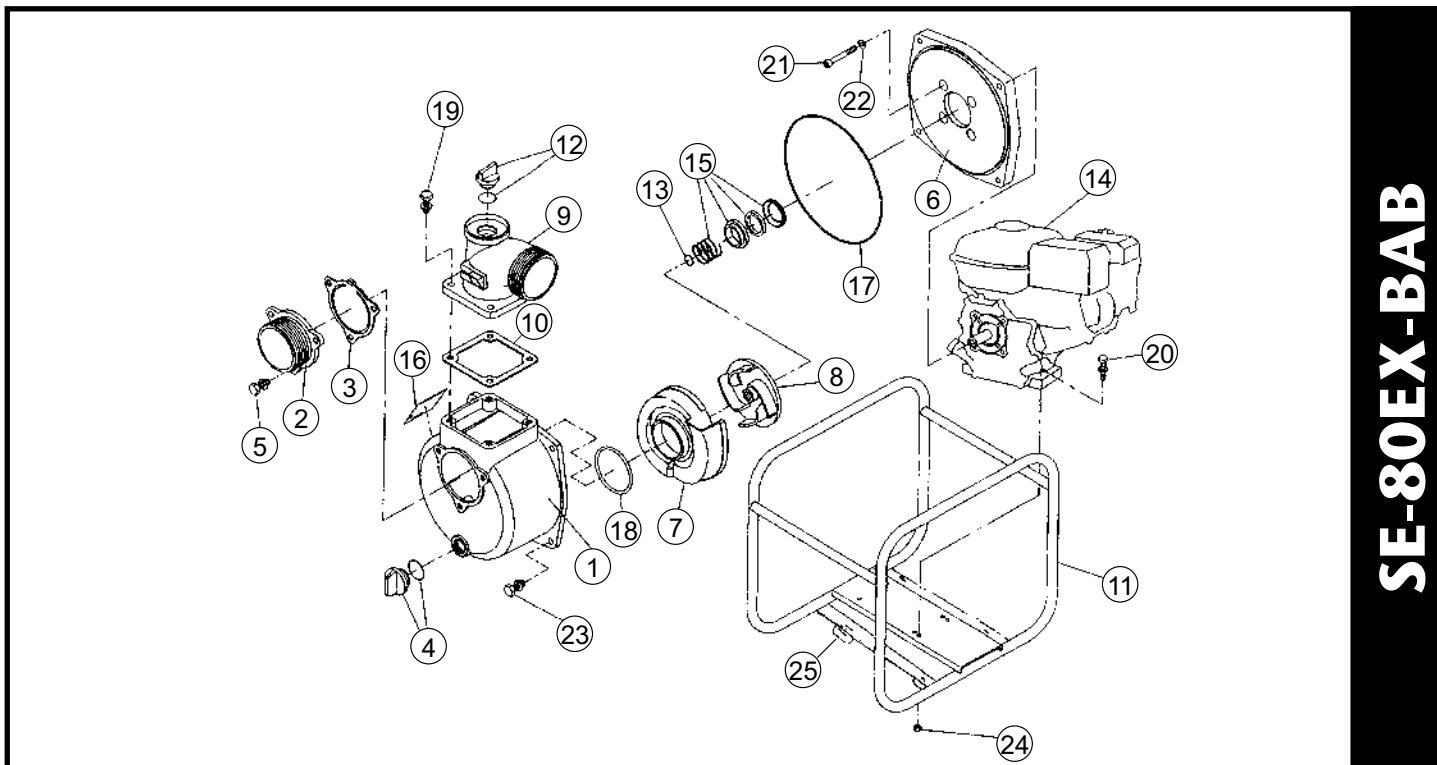
SEH-80X-BAF



3" CENTRIFUGAL HONDA GX160 5.5 HP



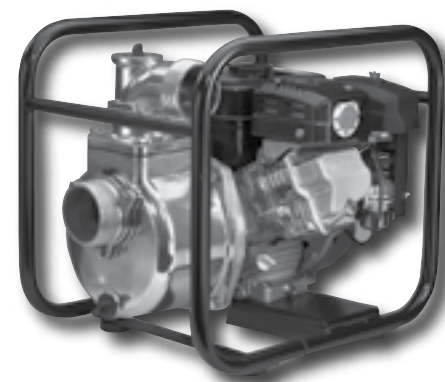
| REF NO. | PART NO. | DESCRIPTION | QTY. |
|---------|-----------|-------------------------|------|
| 1 | 0112795 | PUMP CASING | 1 |
| 2 | 0112796 | FLANGE BRACKET | 1 |
| 3 | 0113176 | VOLUTE CASING | 1 |
| 4 | 0110532 | IMPELLER | 1 |
| 5 | 0112876 | SUCTION FLANGE | 1 |
| 6 | 0112799 | CHECK VALVE | 1 |
| 7 | 0111361 | DELIVERY FLANGE | 1 |
| 8 | 0110584 | DELIVERY FLANGE GASKET | 1 |
| 9 | 0117156 | FRAME | 1 |
| 10 | 0110491 | ADJUSTING WASHER | 3 |
| 11 | 0118078 | 20 A PLUG SET | 1 |
| 12 | 0118079 | 25 A PLUG SET | 1 |
| 13 | | ENGINE | 1 |
| 14 | 0110664 | MECHANICAL SEAL | 1 |
| 15 | | NAME PLATE | 1 |
| 16 | 0115015 | O-RING 1517-46.5 | 1 |
| 17 | 0113989 | O-RING P74 | 1 |
| 18 | 743119061 | HEX BOLT M10 x 25 | 4 |
| 19 | 743119063 | HEX BOLT M10 x 30 | 4 |
| 20 | 743119053 | HEX BOLT M8 x 40 | 4 |
| 21 | 734532076 | HEX SOCKET BOLT M8 x 60 | 4 |
| 22 | 827419008 | HEX NUT M8 | 4 |
| 23 | 854255008 | SEAL WASHER M8 | 4 |
| 24 | 0110515 | RUBBER MOUNT | 4 |



SE-80EX-BAB

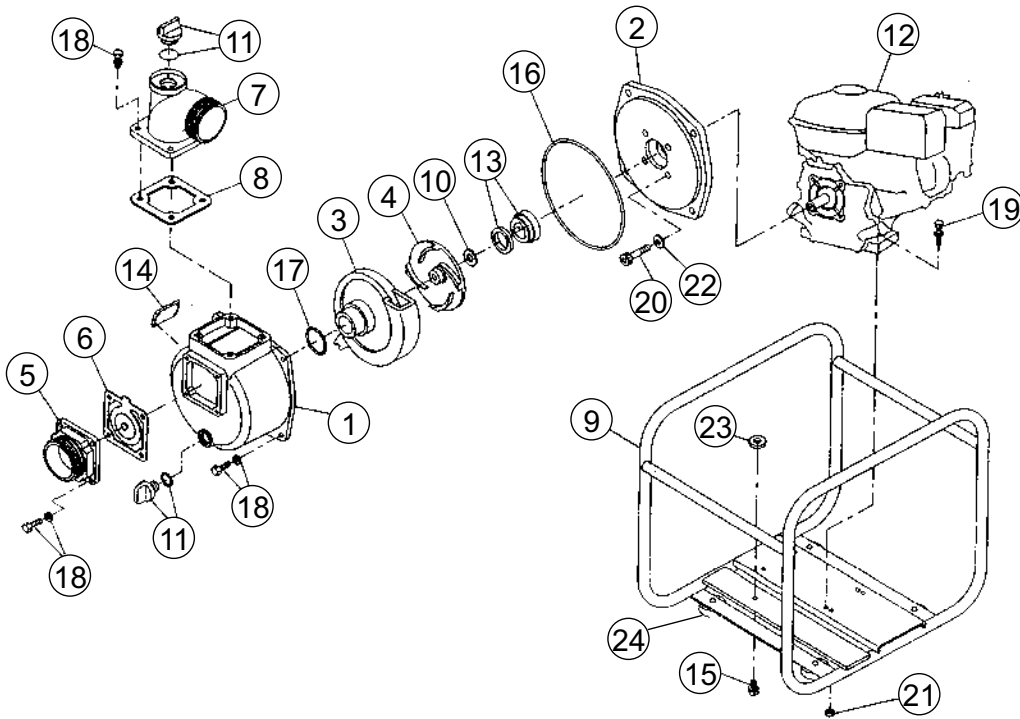
3" CENTRIFUGAL ROBIN EX17 6.0 HP

| REF NO. | PART NO. | DESCRIPTION | QTY. |
|---------|-----------|-------------------------|------|
| 1 | 0112795 | PUMP CASING | 1 |
| 2 | 0112876 | SUCTION FLANGE | 1 |
| 3 | 0112799 | CHECK VALVE | 1 |
| 4 | 0118078 | 20 A PLUG SET | 2 |
| 5 | 743119061 | HEX BOLT M10 x 25 | 3 |
| 6 | 0112796 | FLANGE BRACKET | 1 |
| 7 | 0114379 | VOLUTE CASING | 1 |
| 8 | 0115057 | IMPELLER | 1 |
| 9 | 0111361 | DELIVERY FLANGE | 1 |
| 10 | 0110584 | DELIVERY FLANGE GASKET | 1 |
| 11 | 0117878 | FRAME | 1 |
| 12 | 0118079 | 25 A PLUG SET | 1 |
| 13 | 0110491 | ADJUSTING WASHER | 3 |
| 14 | | ENGINE | 1 |
| 15 | 0110664 | MECHANICAL SEAL | 1 |
| 16 | | NAME PLATE | 1 |
| 17 | 0115015 | O-RING 1517-46.5 | 1 |
| 18 | 0113989 | O-RING P74 | 1 |
| 19 | 743119063 | HEX BOLT M10 x 30 | 4 |
| 20 | 743119053 | HEX BOLT M8 x 40 | 4 |
| 21 | 734532076 | HEX SOCKET BOLT M8 x 60 | 4 |
| 22 | 854255008 | SEAL WASHER | 4 |
| 23 | 743119061 | HEX BOLT M10 x 25 | 4 |
| 24 | 827419008 | HEX NUT M8 | 4 |
| 25 | 0110515 | RUBBER FOOT | 4 |

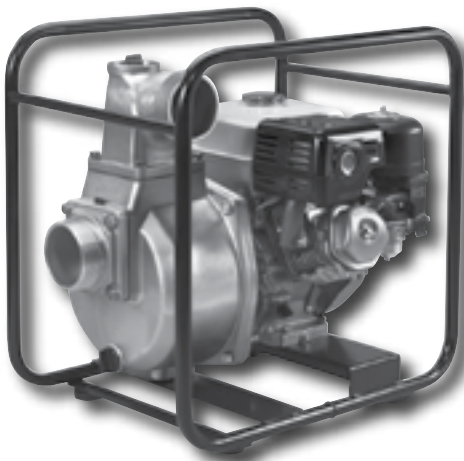


KOSHIN PUMP

SEH-100X-BAF

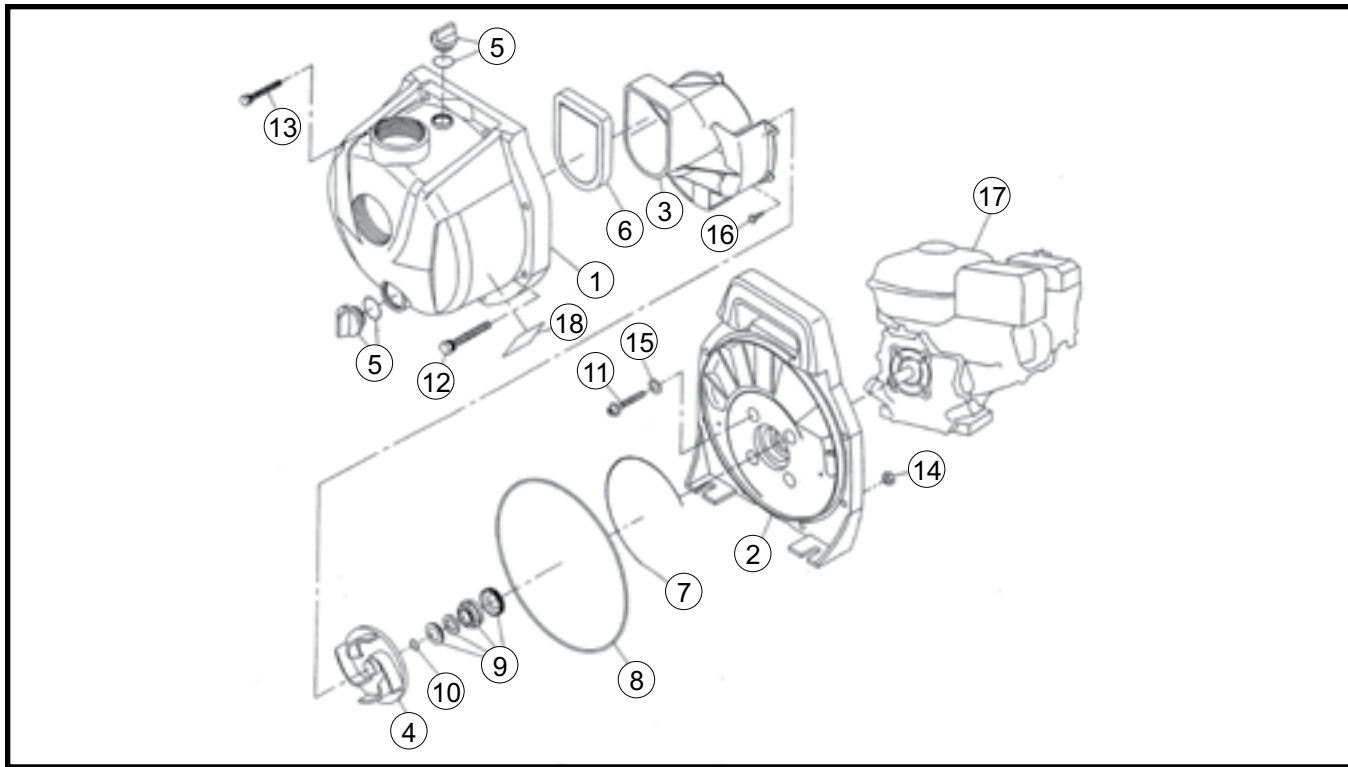


4" CENTRIFUGAL HONDA GX240 8.0 HP



| REF NO. | PART NO. | DESCRIPTION | QTY. |
|---------|-----------|-------------------------|------|
| 1 | 0115691 | PUMP CASING | 1 |
| 2 | 0115763 | FLANGE BRACKET | 1 |
| 3 | 0110717 | VOLUTE CASING | 1 |
| 4 | 0115664 | IMPELLER | 1 |
| 5 | 0111365 | SUCTION FLANGE | 1 |
| 6 | 0117363 | CHECK VALVE | 1 |
| 7 | 0116151 | DELIVERY FLANGE | 1 |
| 8 | 0110750 | DELIVERY FLANGE GASKET | 1 |
| 9 | 0117679 | FRAME | 1 |
| 10 | 0110081 | ADJUSTING WASHER | 3 |
| 11 | 0118079 | 25 A PLUG SET | 2 |
| 12 | | ENGINE | 1 |
| 13 | 0115764 | MECHANICAL SEAL | 1 |
| 14 | | NAME PLATE | 1 |
| 15 | 743119043 | HEX BOLT M8 x 16 | 1 |
| 16 | 890455080 | O-RING 1516-80 | 1 |
| 17 | 889855090 | O-RING P90 | 1 |
| 18 | 743119080 | HEX BOLT M12 x 35 | 12 |
| 19 | 743119067 | HEX BOLT M10 x 40 | 4 |
| 20 | 734532078 | HEX SOCKET BOLT M8 x 70 | 4 |
| 21 | 827419010 | HEX NUT M10 | 4 |
| 22 | 854255008 | SEAL WASHER M8 | 4 |
| 23 | 0115923 | RUBBER WASHER 26x12x5 | 1 |
| 24 | 0110515 | RUBBER FOOT | 4 |





PGH-50-BAA

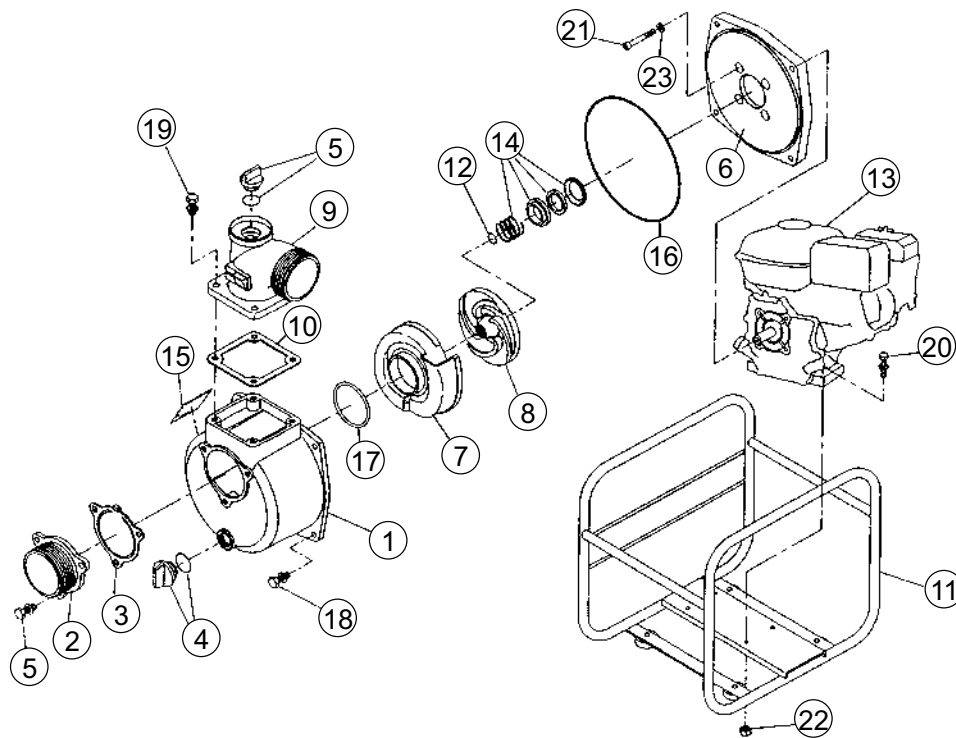


**2" THERMOPLASTIC
HONDA GC135 4.0 HP**

| REF NO. | PART NO. | DESCRIPTION | QTY. |
|---------|-----------|-------------------------|------|
| 1 | 0130001 | PUMP CASING | 1 |
| 2 | 0130002 | FLANGE BRACKET | 1 |
| 3 | 0130003 | VOLUTE CASING | 1 |
| 4 | 0130004 | IMPELLER | 1 |
| 5 | 0138001 | 20 A PLUG SET | 2 |
| 6 | 0130009 | CHECK VALVE | 1 |
| 7 | 0130008 | VOLUTE CASING GASKET | 1 |
| 8 | 0130005 | FLANGE GASKET | 1 |
| 9 | 0130011 | MECHANICAL SEAL | 1 |
| 10 | 0110466 | ADJUSTING WASHER | 2 |
| 11 | 734705074 | HEX SOCKET BOLT M8 x 50 | 4 |
| 12 | 746205056 | HEX BOLT M8 x 55 | 6 |
| 13 | 746205057 | HEX BOLT M8 x 60 | 2 |
| 14 | 827405008 | HEX NUT M8 | 8 |
| 15 | 854255008 | SEAL WASHER | 4 |
| 16 | 718505035 | TAPPING SCREW M4 x 12 | 3 |
| 17 | | ENGINE | 1 |
| 18 | | NAME PLATE | 1 |



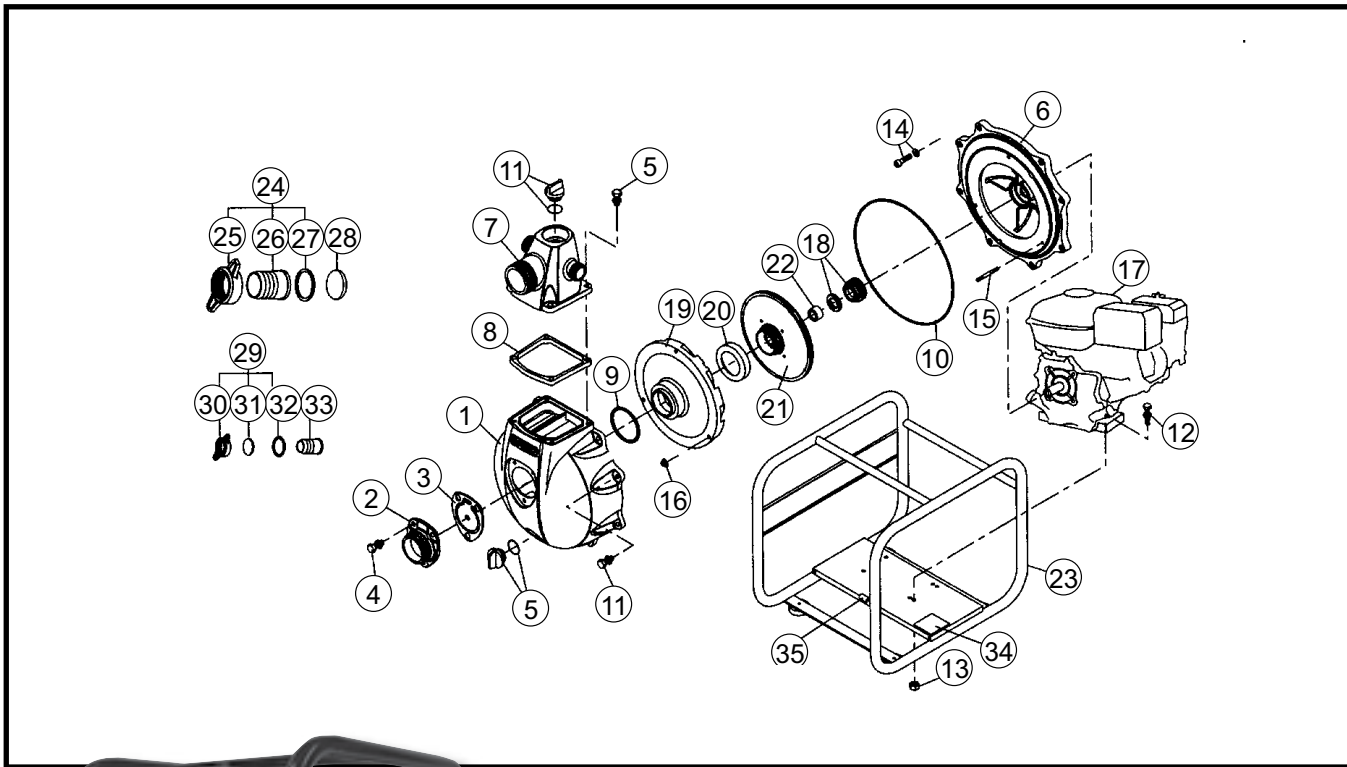
SEM-50V BAH



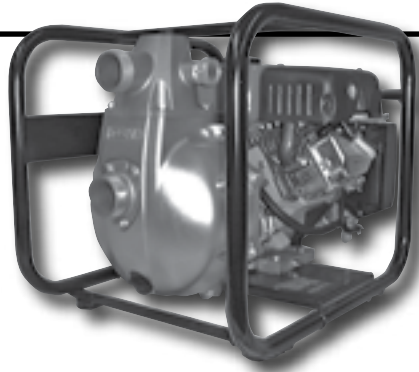
2" HIGH PRESSURE MITSUBISHI 4.0 HP



| REF NO. | PART NO. | DESCRIPTION | QTY. |
|---------|-----------|-------------------------|------|
| 1 | 0112578 | PUMP CASING | 1 |
| 2 | 0112822 | SUCTION FLANGE | 1 |
| 3 | 0112665 | CHECK VALVE | 1 |
| 4 | 0118078 | 20 A PLUG SET | 2 |
| 5 | 743119045 | HEX BOLT M8 x 20 | 3 |
| 6 | 0112579 | FLANGE BRACKET | 1 |
| 7 | 0120341 | VOLUTE CASING | 1 |
| 8 | 0120257 | IMPELLER | 1 |
| 9 | 0111359 | DELIVERY FLANGE | 1 |
| 10 | 0110541 | DELIVERY FLANGE GASKET | 1 |
| 11 | 0117939 | FRAME | 1 |
| 12 | 0110466 | ADJUSTING WASHER | 3 |
| 13 | | ENGINE | 1 |
| 14 | 0110688 | MECHANICAL SEAL | 1 |
| 15 | | LABEL | 1 |
| 16 | 0115014 | O-RING 1517-43 | 1 |
| 17 | 0112792 | O-RING P54 | 1 |
| 18 | 743119046 | HEX BOLT M8 x 22 | 4 |
| 19 | 743119047 | HEX BOLT M8 x 25 | 4 |
| 20 | 743119051 | HEX BOLT M8 x 35 | 4 |
| 21 | 734532076 | HEX SOCKET BOLT M8 x 60 | 4 |
| 22 | 827419008 | HEX NUT M8 | 4 |
| 23 | 854255008 | SEAL WASHER M8 | 4 |
| 24 | 0110515 | RUBBER FOOT | 4 |



SERM-50V



**2" HIGH PRESSURE
MITSUBISHI GM182 6.0 HP**

| REF NO. | PART NO. | DESCRIPTION | QTY. |
|---------|-----------|--|------|
| 1 | 0120393 | PUMP CASING | 1 |
| 2 | 0120408 | SUCTION FLANGE | 1 |
| 3 | 0120398 | CHECK VALVE | 1 |
| 4 | 743119045 | HEXAGON BOLT M8 x 20 | 3 |
| 5 | 0118078 | 20A PLUG SET | 2 |
| 6 | 0120396 | FLANGE BRACKET | 1 |
| 7 | 0120409 | DELIVERY FLANGE | 1 |
| 8 | 0120399 | DELIVERY FLANGE PACKING | 1 |
| 9 | 889855056 | O-RING P56 | 1 |
| 10 | 0115016 | O-RING 1517-51.5 | 1 |
| 11 | 743119047 | HEXAGON BOLT M8 x 25 | 12 |
| 12 | 743119053 | HEXAGON BOLT M8 x 40 | 4 |
| 13 | 827419008 | HEXAGON NUT M8 | 4 |
| 14 | 0120437 | HEXAGON SOCKET BOLT + SEAL WASHER M8 x 60 | 4 |
| 15 | 0120438 | STUD BOLT M6 x 46 (12/12) | 3 |
| 16 | 0120439 | PLATE SPRING WASHER M6 | 3 |
| 17 | | ENGINE | |

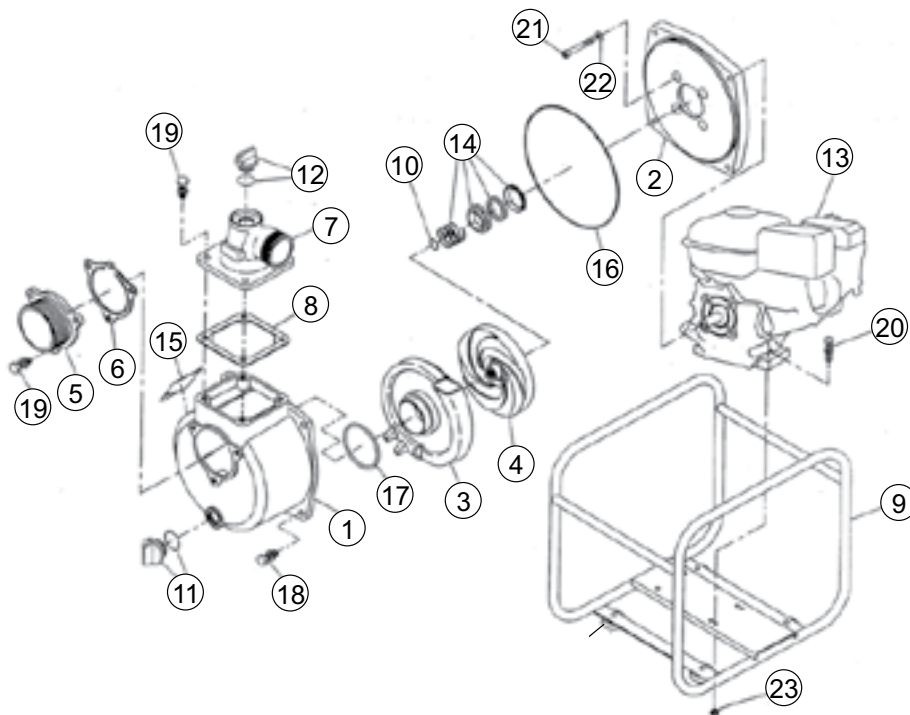
| REF NO. | PART NO. | DESCRIPTION | QTY. |
|---------|----------|---------------------------|------|
| 18 | 0120389 | MECHANICAL SEAL ϕ 20 | 1 |
| 19 | 0120390 | VOLUTE CASING | 1 |
| 20 | 0120397 | WEAR RING | 1 |
| 21 | 0117990 | IMPELLER ASSEMBLY | 1 |
| 22 | 0120448 | IMPELLER BUSHING | 1 |
| 23 | 0117992 | BASE SET | 1 |
| 24 | 0128078 | COUPLING SET (50) | 1 |
| 25 | 0120629 | COUPLING | 1 |
| 26 | 0112453 | HOSE NIPPLE | 1 |
| 27 | 0110766 | COUPLING PACKING | 1 |
| 28 | 0120486 | CHECK PLATE (50) | 1 |
| 29 | 0128078 | CHECK COUPLING SET (25) | 2 |
| 30 | 0110422 | COUPLING | 2 |
| 31 | 0120485 | CHECK PLATE (25) | 2 |
| 32 | 0110192 | COUPLING PACKING | 2 |
| 33 | 0110423 | HOSE NIPPLE | 2 |
| 34 | | NAME PLATE | 1 |
| 35 | 0120471 | RUBBER PLATE | 1 |



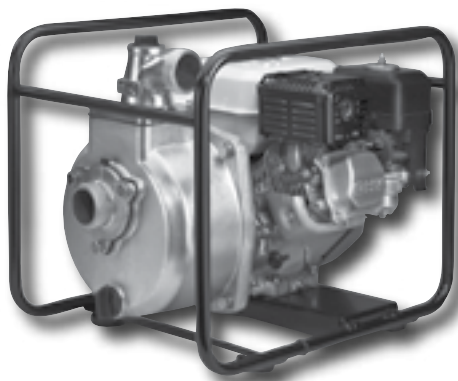
KOSHIN PUMP

HIGH PRESSURE PUMPS

SERH-50B-BAA



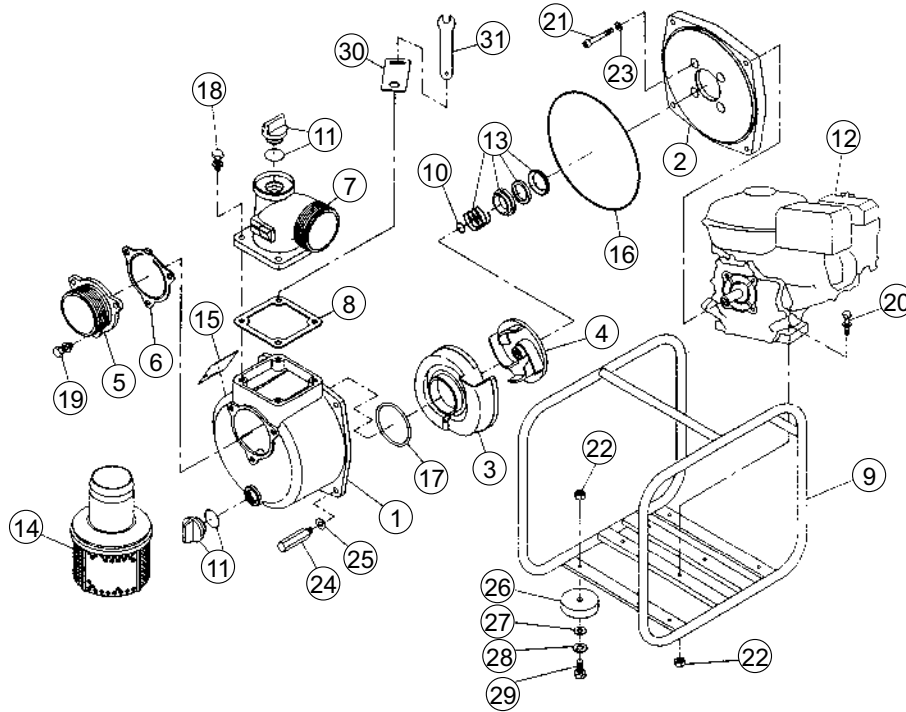
2" HIGH PRESSURE HONDA GX160 5.5 HP



| REF NO. | PART NO. | DESCRIPTION | QTY. |
|---------|-----------|-------------------------|------|
| 1 | 0117248 | PUMP CASING | 1 |
| 2 | 0110568 | FLANGE BRACKET | 1 |
| 3 | 0112818 | VOLUTE CASING | 1 |
| 4 | 0112861 | IMPELLER | 1 |
| 5 | 0114324 | SUCTION FLANGE | 1 |
| 6 | 0112799 | CHECK VALVE | 1 |
| 7 | 0113289 | DELIVERY FLANGE | 1 |
| 8 | 0110584 | DELIVERY FLANGE GASKET | 1 |
| 9 | 0117016 | FRAME | 1 |
| 10 | 0110081 | ADJUSTING WASHER | 3 |
| 11 | 0118079 | 25 A PLUG SET | 1 |
| 12 | 0118078 | 20 A PLUG SET | 1 |
| 13 | | ENGINE | 1 |
| 14 | 0110863 | MECHANICAL SEAL | 1 |
| 15 | | NAME PLATE | 1 |
| 16 | 0115016 | O-RING | 1 |
| 17 | 0113989 | O-RING | 1 |
| 18 | 743119078 | HEX BOLT M12 x 30 | 4 |
| 19 | 743119063 | HEX BOLT M10 x 30 | 7 |
| 20 | 743119053 | HEX BOLT M8 x 40 | 4 |
| 21 | 734532076 | HEX SOCKET BOLT M8 x 60 | 4 |
| 22 | 854255008 | SEAL WASHER M8 | 4 |
| 23 | 827419008 | HEX NUT M8 | 4 |
| 24 | 0110515 | RUBBER FOOT | 4 |

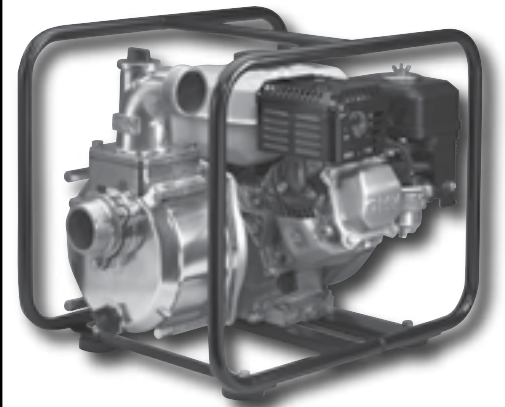


SEH-50T-BCM (SEH-50X-BCM)



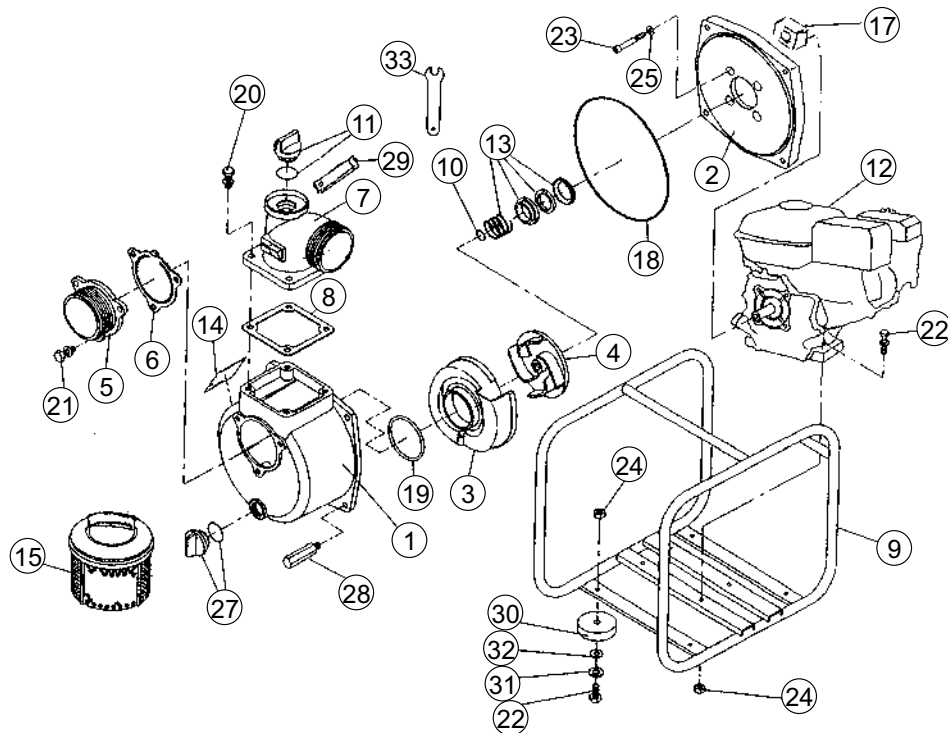
| REF NO. | PART NO. | DESCRIPTION | QTY. |
|---------|-----------|------------------------|------|
| 1 | 0112578 | PUMP CASING | 1 |
| 2 | 0114027 | FLANGE BRACKET | 1 |
| 3 | 0115169 | VOLUTE CASING | 1 |
| 4 | 0155168 | IMPELLER | 1 |
| 5 | 0112822 | SUCTION FLANGE | 1 |
| 6 | 0112665 | CHECK VALVE | 1 |
| 7 | 0115227 | DELIVERY FLANGE | 1 |
| 8 | 0110541 | DELIVERY FLANGE GASKET | 1 |
| 9 | 0117220 | FRAME | 1 |
| 10 | 0110466 | ADJUSTING WASHER | 3 |
| 11 | 0118078 | 20 A PLUG SET | 2 |
| 12 | | ENGINE | 1 |
| 13 | 0115159 | MECHANICAL SEAL | 1 |
| 14 | 0111893 | STRAINER | 1 |
| 15 | | NAME PLATE | 1 |
| 16 | 0115014 | O-RING 1517-43 | 1 |
| 17 | 0112792 | O-RING P54 | 1 |
| 18 | 743119047 | HEX BOLT M8 x 25 | 4 |
| 19 | 743119045 | HEX BOLT M8 x 20 | 3 |
| 20 | 743119051 | HEX BOLT M8 x 35 | 4 |
| 21 | 734532076 | SOCKET BOLT M8 x 60 | 4 |
| 22 | 827419008 | NUT M8 | 8 |
| 23 | 854255008 | SEAL WASHER M8 | 4 |
| 24 | 0115115 | LONG BOLT M8 | 4 |
| 25 | 843822008 | WASHER | 4 |
| 26 | 0110515 | RUBBER FOOT | 4 |
| 27 | 846007008 | WASHER | 4 |
| 28 | 843822008 | SPRING WASHER | 4 |
| 29 | 743119045 | HEX BOLT M8 x 20 | 4 |
| 30 | 0115230 | WRENCH HOLDER | 1 |
| 31 | 0115185 | WRENCH | 1 |

**2" SEMI-TRASH
HONDA GX120 4.0 HP**



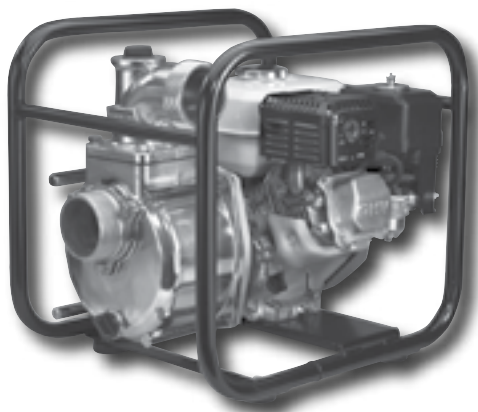
KOSHIN PUMP

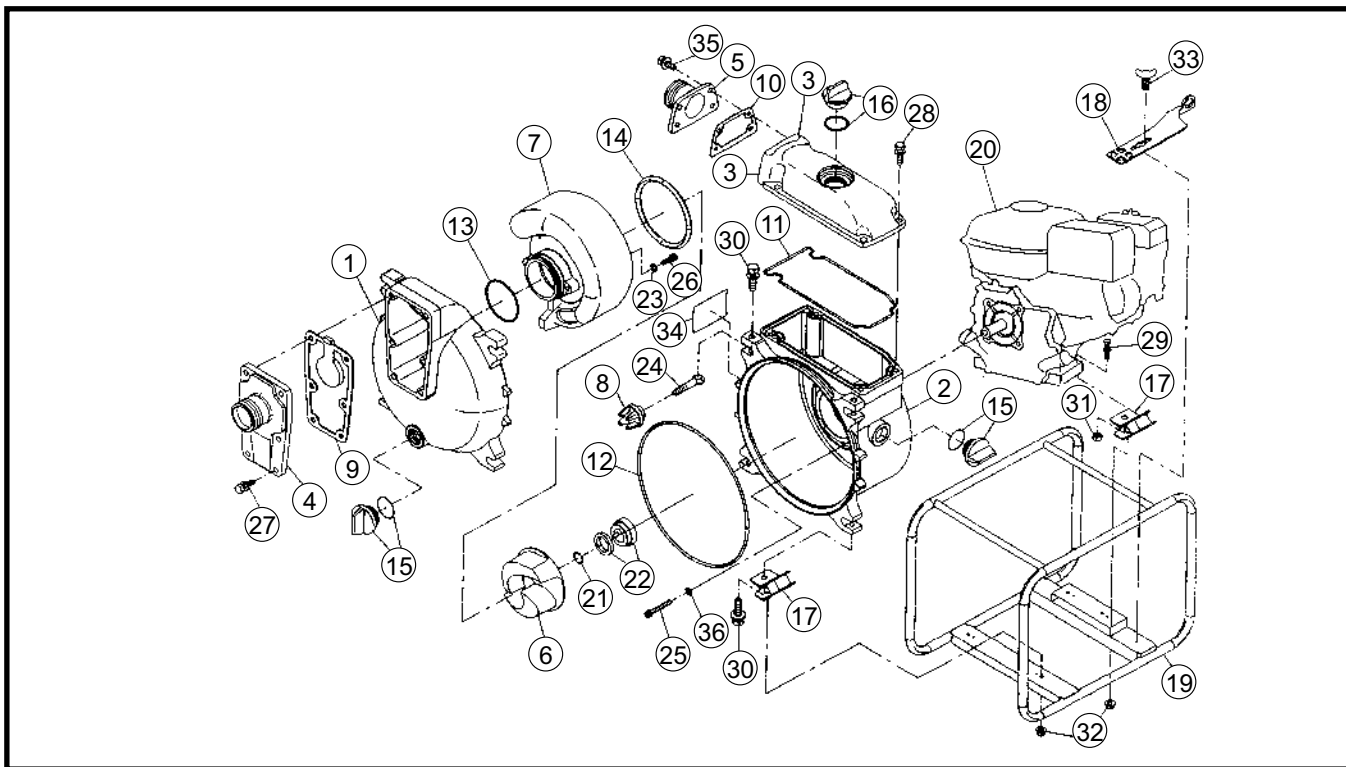
SEH-80T-BCF (SEH-80X-BCF)



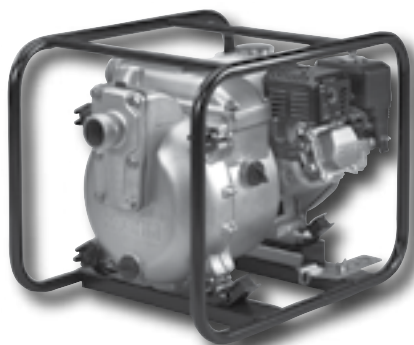
3" SEMI-TRASH HONDA GX160 5.5 HP

| REF NO. | PART NO. | DESCRIPTION | QTY. |
|---------|-----------|------------------------|------|
| 1 | 0112795 | PUMP CASING | 1 |
| 2 | 0115269 | FLANGE BRACKET | 1 |
| 3 | 0115541 | VOLUTE | 1 |
| 4 | 0115539 | IMPELLER | 1 |
| 5 | 0112876 | SUCTION FLANGE | 1 |
| 6 | 0112799 | CHECK VALVE | 1 |
| 7 | 0111361 | DELIVERY FLANGE | 1 |
| 8 | 0110584 | DELIVERY FLANGE GASKET | 1 |
| 9 | 0117433 | FRAME | 1 |
| 10 | 0110491 | ADJUSTING WASHER | 3 |
| 11 | 0118079 | 25 A PLUG SET | 1 |
| 12 | | ENGINE | 1 |
| 13 | 0115159 | MECHANICAL SEAL | 1 |
| 14 | | NAME PLATE | 1 |
| 15 | 0111894 | STRAINER | 1 |
| 17 | 0115540 | SPACER | 1 |
| 18 | 0115015 | O-RING 1517-47 | 1 |
| 19 | 0113989 | O-RING P74 | 1 |
| 20 | 743119063 | HEX BOLT M10 x 30 | 4 |
| 21 | 743119061 | HEX BOLT M10 x 25 | 3 |
| 22 | 743119053 | HEX BOLT M8 x 40 | 8 |
| 23 | 734532076 | SOCKET BOLT M8 x 60 | 4 |
| 24 | 827419008 | NUT M8 | 8 |
| 25 | 854255008 | SEAL WASHER M8 | 4 |
| 27 | 0118078 | 20 A PLUG SET | 1 |
| 28 | 0115542 | LONG BOLT M10 | 4 |
| 29 | 0115588 | WRENCH HOLDER | 1 |
| 30 | 0110515 | RUBBER MOUNT | 4 |
| 31 | 842319008 | M8 NUT W/SPRING WASHER | 4 |
| 32 | 846207008 | WASHER M8 | 4 |
| 33 | 0115589 | WRENCH 17MM | 1 |





KTH-50X-BAA



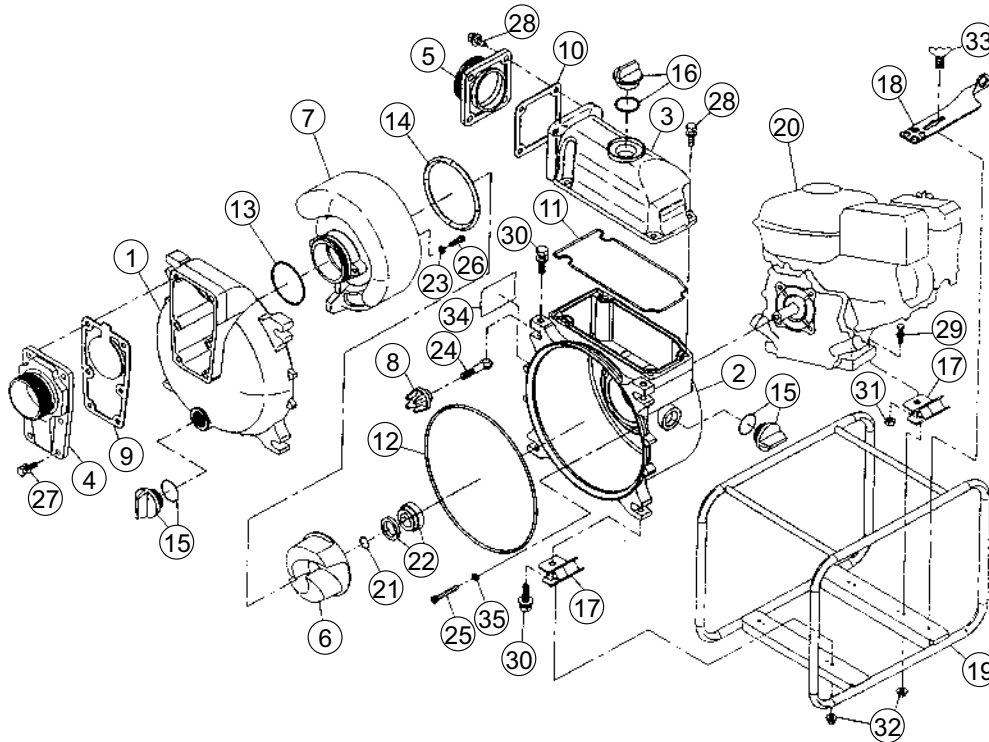
**2" TRASH
HONDA GX160 5.5 HP**

| REF NO. | PART NO. | DESCRIPTION | QTY. | REF NO. | PART NO. | DESCRIPTION | QTY. |
|---------|----------|------------------------|------|---------|-----------|------------------------|------|
| 1 | 0115545 | FRONT COVER | 1 | 19 | 0117524 | FRAME | 1 |
| 2 | 0115446 | PUMP CASING | 1 | 20 | | ENGINE | 1 |
| 3 | 0115445 | DELIVERY CASING | 1 | 21 | 0110491 | ADJUSTING WASHER | 3 |
| 4 | 0115492 | SUCTION FLANGE | 1 | 22 | 0115159 | MECHANICAL SEAL | 1 |
| 5 | 0115444 | DELIVERY FLANGE | 1 | 23 | 854255008 | SEAL WASHER | 6 |
| 6 | 0115447 | IMPELLER | 1 | 24 | 0115580 | COVER BOLT | 4 |
| 7 | 0115489 | VOLUTE CASING | 1 | 25 | 0116516 | SOCKET BOLT M8 x 55 | 4 |
| 8 | 0115590 | KNOB | 4 | 26 | 734505065 | SOCKET BOLT M8 x 25 | 2 |
| 9 | 0115780 | CHECK VALVE | 1 | 27 | 743119061 | HEX BOLT M10 x 25 | 6 |
| 10 | 0115490 | DELIVERY FLANGE GASKET | 1 | 28 | 743119063 | HEX BOLT M10 x 30 | 4 |
| 11 | 0115548 | HEAD GASKET | 1 | 29 | 743119051 | HEX BOLT M8 x 35 | 2 |
| 12 | 0115579 | FRONT COVER GASKET | 1 | 30 | 743119083 | HEX BOLT M12 x 45 | 4 |
| 13 | 0115676 | O-RING | 1 | 31 | 838719008 | NUT M8 | 2 |
| 14 | 0115578 | CASING GASKET | 1 | 32 | 842319008 | M8 NUT W/SPRING WASHER | 4 |
| 15 | 0118079 | 25A PLUG SET | 2 | 33 | 741305153 | WING BOLT M8 x 15 | 1 |
| 16 | 0118450 | 32A PLUG SET | 1 | 34 | | NAME PLATE | 1 |
| 17 | 0115679 | RUBBER MOUNT | 4 | 35 | 743119046 | HEX BOLT M8 x 22 | 4 |
| 18 | 0115778 | WRENCH | 1 | 36 | 0116493 | ALUMINUM WASHER | 4 |

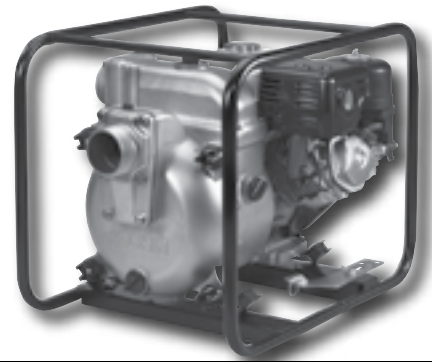


KOSHIN PUMP

KTH-80X-BAA



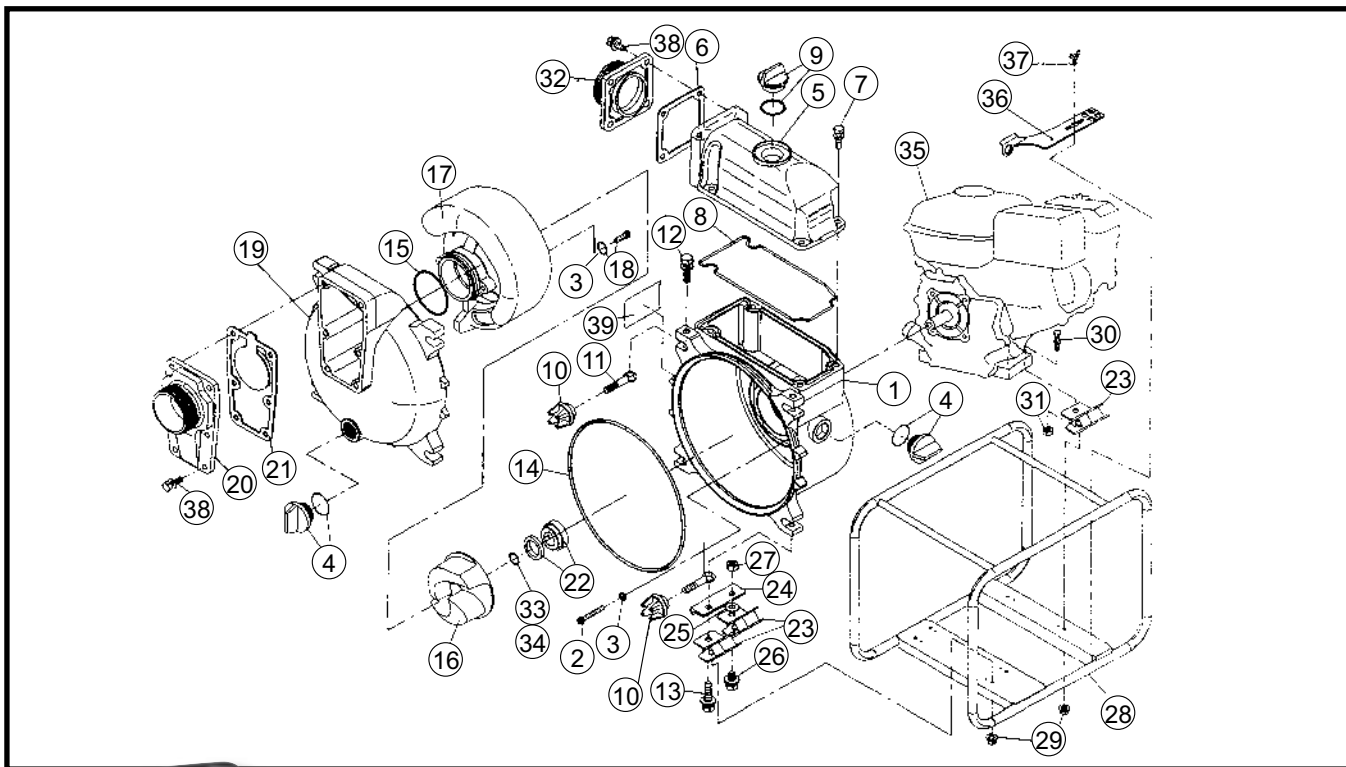
3" TRASH HONDA GX240 8.0 HP



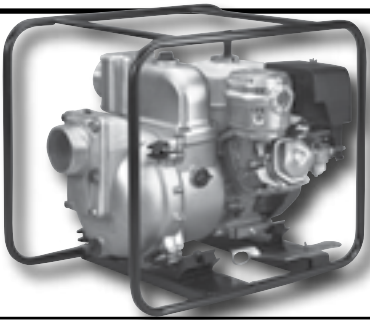
| REF NO. | PART NO. | DESCRIPTION | QTY. |
|---------|----------|------------------------|------|
| 1 | 0115545 | FRONT COVER | 1 |
| 2 | 0115446 | PUMP CASING | 1 |
| 3 | 0115547 | DELIVERY CASING | 1 |
| 4 | 0111360 | SUCTION FLANGE | 1 |
| 5 | 0115837 | DELIVERY FLANGE | 1 |
| 6 | 0115558 | IMPELLER | 1 |
| 7 | 0115559 | VOLUTE CASING | 1 |
| 8 | 0115590 | KNOB | 4 |
| 9 | 0115692 | CHECK VALVE | 1 |
| 10 | 0110584 | DELIVERY FLANGE GASKET | 1 |
| 11 | 0115548 | HEAD GASKET | 1 |
| 12 | 0115579 | FRONT COVER GASKET | 1 |
| 13 | 0115676 | O-RING | 1 |
| 14 | 0115578 | CASING GASKET | 1 |
| 15 | 0118079 | 25A PLUG SET | 2 |
| 16 | 0118450 | 32A PLUG SET | 1 |
| 17 | 0115679 | RUBBER MOUNT | 4 |
| 18 | 0115767 | WRENCH | 1 |

| REF NO. | PART NO. | DESCRIPTION | QTY. |
|---------|-----------|------------------------|------|
| 19 | 0117494 | FRAME | 1 |
| 20 | | ENGINE | 1 |
| 21 | 0110081 | ADJUSTING WASHER | 3 |
| 22 | 0115678 | MECHANICAL SEAL | 1 |
| 23 | 854255008 | SEAL WASHER | 2 |
| 24 | 0115580 | COVER BOLT | 4 |
| 25 | 734532075 | SOCKET BOLT M8 x 55 | 4 |
| 26 | 734505065 | SOCKET BOLT M8 x 25 | 2 |
| 27 | 743119061 | HEX BOLT M10 x 25 | 6 |
| 28 | 743119063 | HEX BOLT M10 x 30 | 4 |
| 29 | 743119065 | HEX BOLT M10 x 35 | 2 |
| 30 | 743119083 | HEX BOLT M12 x 45 | 4 |
| 31 | 827419010 | HEX NUT M10 | 2 |
| 32 | 842319008 | M8 NUT W/SPRING WASHER | 4 |
| 33 | 741305153 | WING BOLT M8 x 15 | 1 |
| 34 | | NAME PLATE | 1 |
| 35 | 0116493 | ALUMINUM WASHER | 4 |





KTH-100X-BAA-0



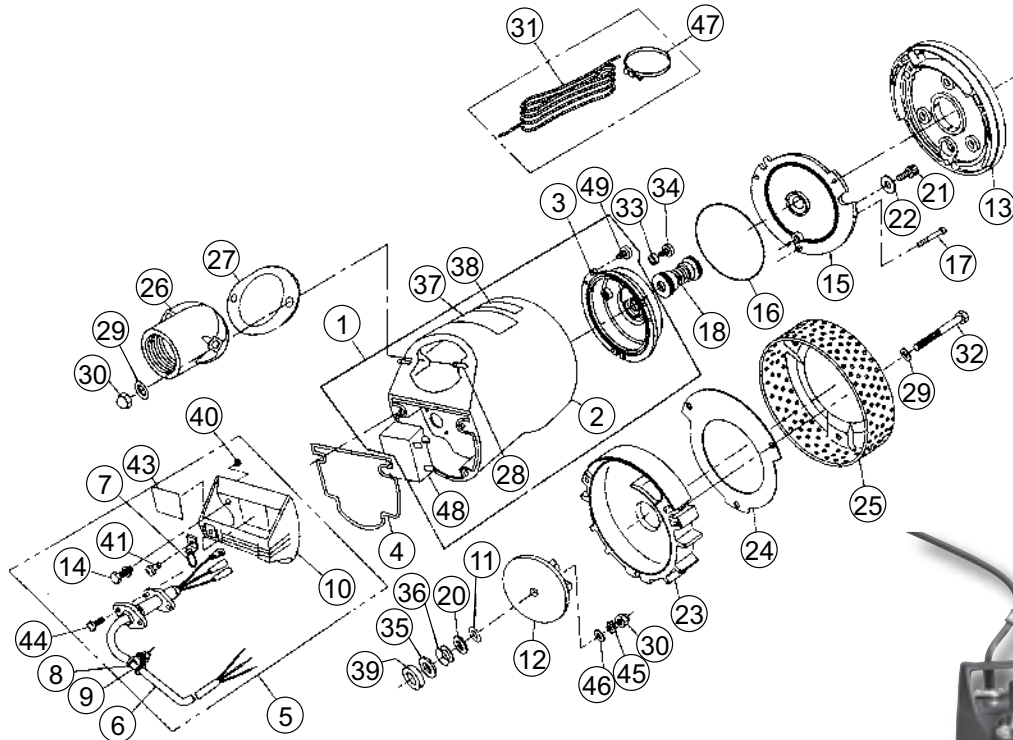
**4" TRASH
HONDA GX340 11.0 HP**

| REF NO. | PART NO. | DESCRIPTION | QTY. | REF NO. | PART NO. | DESCRIPTION | QTY. |
|---------|-----------|-------------------------|------|---------|-----------|------------------------|------|
| 1 | 0116150 | PUMP HOUSING | 1 | 21 | 0118261 | CHECK VALVE | 1 |
| 2 | 0116492 | HEX SOCKET BOLT M8 x 50 | 4 | 22 | 0115678 | MECHANICAL SEAL | 1 |
| 3 | 0116493 | ALUMINUM WASHER | 7 | 23 | 0116172 | RUBBER MOUNT | 6 |
| 4 | 0118079 | 25A PLUG SET | 2 | 24 | 0116273 | MOUNTING PLATE | 2 |
| 5 | 0116148 | DELIVERY HOUSING | 1 | 25 | 846211012 | WASHER | 2 |
| 6 | 0110750 | DELIVERY FLANGE GASKET | 1 | 26 | 743119076 | HEX BOLT M12 x 25 | 2 |
| 7 | 743119063 | HEX BOLT M10 x 30 | 4 | 27 | 827419012 | HEX NUT M12 | 2 |
| 8 | 0115548 | HEAD GASKET | 1 | 28 | 0117737 | FRAME | 1 |
| 9 | 0118450 | 32A PLUG SET | 1 | 29 | 842319008 | M8 NUT SPRING W/WASHER | 6 |
| 10 | 0115590 | KNOB | 4 | 30 | 743119067 | HEX BOLT M10 x 40 | 2 |
| 11 | 0115580 | COVER BOLT | 4 | 31 | 827419010 | HEXAGON NUT M10 | 2 |
| 12 | 743119083 | HEX BOLT M12 x 45 | 2 | 32 | 0111365 | DELIVERY FLANGE | 1 |
| 13 | 743119084 | HEX BOLT M12 x 50 | 2 | 33 | 0110561 | ADJUSTING WASHER | 1 |
| 14 | 0115579 | FRONT COVER GASKET | 1 | 34 | 0110561 | ADJUSTING WASHER | 2 |
| 15 | 0116270 | O-RING | 1 | 35 | | ENGINE | 1 |
| 16 | 0115626 | IMPELLER | 1 | 36 | 0116204 | WRENCH | 1 |
| 17 | 0116488 | VOLUTE CASING | 1 | 37 | 741305153 | WING BOLT | 1 |
| 18 | 0116419 | HEX SOCKET BOLT M8 x 35 | 3 | 38 | 743119080 | HEX BOLT M12 x 35 | 10 |
| 19 | 0116490 | FRONT COVER | 1 | 39 | | NAME PLATE | 1 |
| 20 | 0115790 | SUCTION FLANGE | 1 | | | | |



KOSHIN PUMP

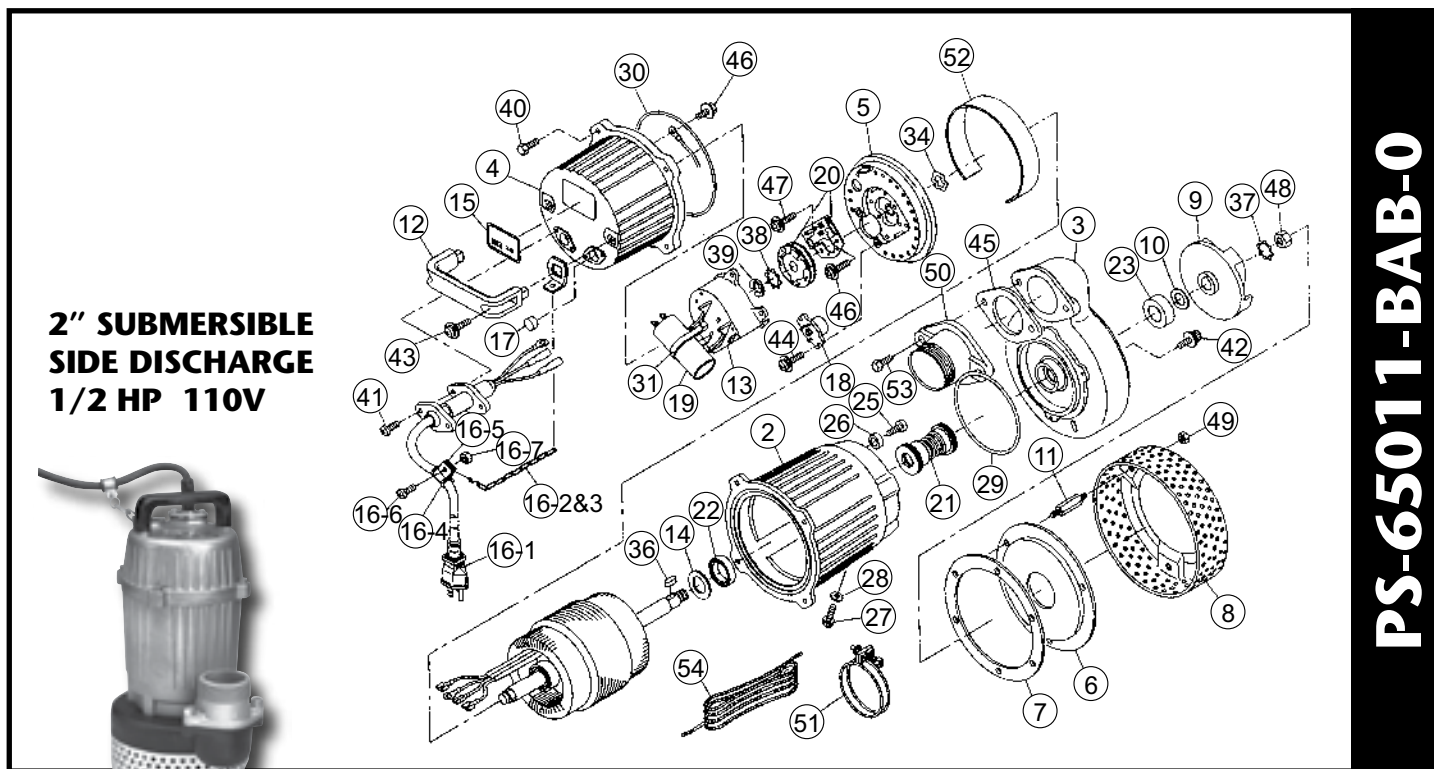
PX-65011-BAC



**2" SUBMERSIBLE
TOP OR SIDE DISCHARGE
1/2 HP 110V**

| REF NO. | PART NO. | DESCRIPTION | QTY. | REF NO. | PART NO. | DESCRIPTION | QTY. |
|---------|-----------|--------------------------|------|---------|-----------|------------------------|------|
| 1 | 0438067 | MOTOR ASSEMBLY | 1 | 27 | 0430383 | DELIVERY FLANGE GASKET | 1 |
| 2 | 0430399 | FRAME | 1 | 28 | 0430290 | STUD BOLT M8 x 70 | 2 |
| 3 | 0430267 | BRACKET | 1 | 29 | 846005008 | WASHER | 5 |
| 4 | 0430284 | HEAD GASKET | 1 | 30 | 835305008 | HEX CAP NUT M8 | 3 |
| 6 | 0430308 | POWER CORD | 1 | 31 | 0390101 | ROPE | 1 |
| 7 | 0438066 | CHAIN ASSEMBLY | 1 | 32 | 735705162 | HEX BOLT M8 x 70 | 3 |
| 8 | 0390031 | CORD SUPPORTER | 1 | 33 | 0340142 | SEAL RING | 1 |
| 9 | 0260018 | CORD BAND | 1 | 34 | 0340153 | SCREW M6 x 8 | 1 |
| 10 | 0430404 | HANDLE | 1 | 35 | 0340277 | THRUST WASHER | 1 |
| 11 | 0430441 | ADJUSTING WASHER | 2 | 36 | 895154014 | OIL SEAL | 1 |
| 12 | 0430280 | IMPELLER | 1 | 37 | | LABEL | 1 |
| 13 | 0430273 | BACK LINER | 1 | 38 | | CAUTION LABEL | 1 |
| 14 | 743605031 | HEX BOLT M6 x 18 | 4 | 39 | 0430299 | THRUST GASKET | 1 |
| 15 | 0430271 | FRONT COVER | 1 | 40 | 707820074 | SCREW M4 x 6 | 1 |
| 16 | 889955125 | O-RING G125 | 1 | 41 | 703305100 | SCREW M5 x 10 | 2 |
| 17 | 734505037 | HEX SOCKET BOLT M5 X 20 | 3 | 42 | 827305005 | HEX NUT M5 | 1 |
| 18 | 0430243 | MECHANICAL SEAL | 1 | 43 | | LABEL | 1 |
| 20 | 0390025 | ADJUSTING WASHER | 2 | 44 | 703305102 | SCREW M5 x 14 | 2 |
| 21 | 0390037 | HEX SOCKET BOLT M10 X 12 | 1 | 45 | 845305008 | TOOTHED WASHER | 1 |
| 22 | 854255010 | SEAL WASHER | 2 | 46 | 846505008 | WASHER | 1 |
| 23 | 0430274 | CASING | 1 | 47 | 940019060 | HOSE BAND | 1 |
| 24 | 0430269 | SUCTION FLANGE | 1 | 48 | 0430392 | CONDENSER | 1 |
| 25 | 0430270 | STRAINER | 1 | 49 | 734605035 | HEX BOLT M5 x 16 | 3 |
| 26 | 0430306 | DELIVERY FLANGE | 1 | | | | |





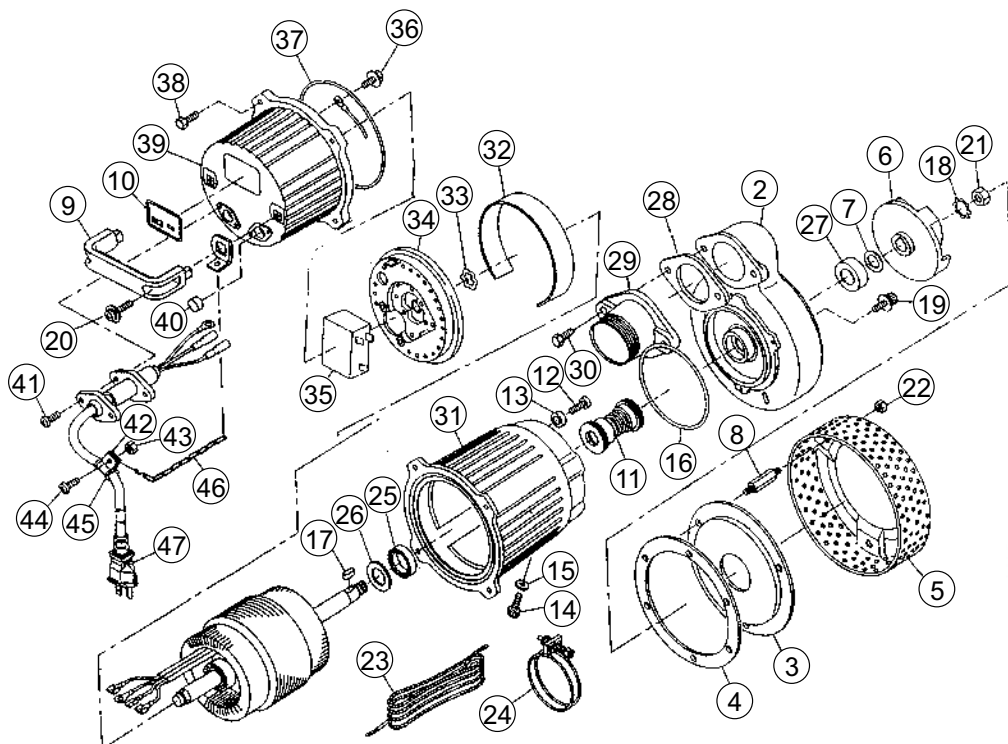
**2" SUBMERSIBLE
SIDE DISCHARGE
1/2 HP 110V**

PS-65011-BAB-0

| REF NO. | PART NO. | DESCRIPTION | QTY. | REF NO. | PART NO. | DESCRIPTION | QTY. |
|---------|-----------|----------------------------|------|---------|-----------|--------------------------|------|
| 1 | 0398133 | MOTOR ASSEMBLY | 1 | 25 | 0340153 | SCREW M6 X 8 | 1 |
| 2 | 0390473 | FRAME | 1 | 26 | 0340142 | SEAL RING | 1 |
| 3 | 0390011 | CASING | 1 | 27 | 0390037 | HEX SOCKET BOLT M10 x 12 | 1 |
| 4 | 0390474 | HEAD COVER | 1 | 28 | 854255010 | SEAL WASHER | 1 |
| 5 | 0390475 | BRACKET | 1 | 29 | 889955100 | O-RING G100 | 1 |
| 6 | 0390016 | SUCTION COVER | 1 | 30 | 0430003 | HEAD GASKET | 1 |
| 7 | 0390504 | SUCTION COVER GASKET | 1 | 31 | 0390485 | BAND | 1 |
| 8 | 0390017 | STRAINER | 1 | 34 | 0390490 | WAVE WASHER | 1 |
| 9 | 0390030 | IMPELLER | 1 | 36 | 0390519 | KEY | 1 |
| 10 | 0390025 | ADJUSTING WASHER | 1 | 37 | 0390520 | TOOTHED WASHER | 1 |
| 11 | 0390508 | STUD BOLT | 3 | 38 | 0390492 | WAVE WASHER | 1 |
| 12 | 0390509 | HANDLE | 1 | 39 | 0390493 | STOP RING | 1 |
| 13 | 0390476 | CENT. FORCE SWITCH COVER | 1 | 40 | 0390494 | HEX BOLT M6 x 20 | 4 |
| 14 | 0390590 | BEARING WASHER | 1 | 41 | 0390495 | SCREW M5 x 14 | 2 |
| 15 | | LABEL | 1 | 42 | 0390521 | HEX SOCKET BOLT M6 x 16 | 3 |
| 16-1 | 0430088 | POWER CORD | 1 | 43 | 0390522 | SCREW M6 x 20 | 2 |
| 16-2 | 390027 | CHAIN ASSEMBLY 16-2 & 16-3 | 1 | 44 | 0390496 | SCREW M4 x 20 | 2 |
| 16-4 | 0390031 | CORD SUPPORTER | 1 | 45 | 0390559 | DELIVERY GASKET | 1 |
| 16-5 | 0260018 | CORD BAND | 1 | 46 | 0390497 | SCREW M4 x 8 | 3 |
| 16-6 | 703305100 | SCREW M5 x 10 | 1 | 47 | 0390498 | SCREW M3 x 6 | 2 |
| 16-7 | 827305005 | HEX NUT | 1 | 48 | 0390523 | HEX NUT M10 | 1 |
| 17 | 0390501 | HEAD BUSHING | 1 | 49 | 0390524 | HEX NUT M8 | 3 |
| 18 | 0390544 | THERMAL PROTECTOR | 1 | 50 | 0430143 | DELIVERY FLANGE | 1 |
| 19 | 0390002 | CONDENSER | 1 | 51 | 940019060 | HOSE BAND | 1 |
| 20 | 0390028 | CENT. FORCE SWITCH | 1 | 52 | 0390500 | SUPPORTER | 1 |
| 21 | 0430243 | MECHANICAL SEAL | 1 | 53 | 0390522 | HEX BOLT M6 x 20 | 2 |
| 22 | 0390488 | OIL SEAL | 1 | 54 | 0390101 | ROPE | 1 |
| 23 | 0390512 | OIL SEAL | 1 | | | | |



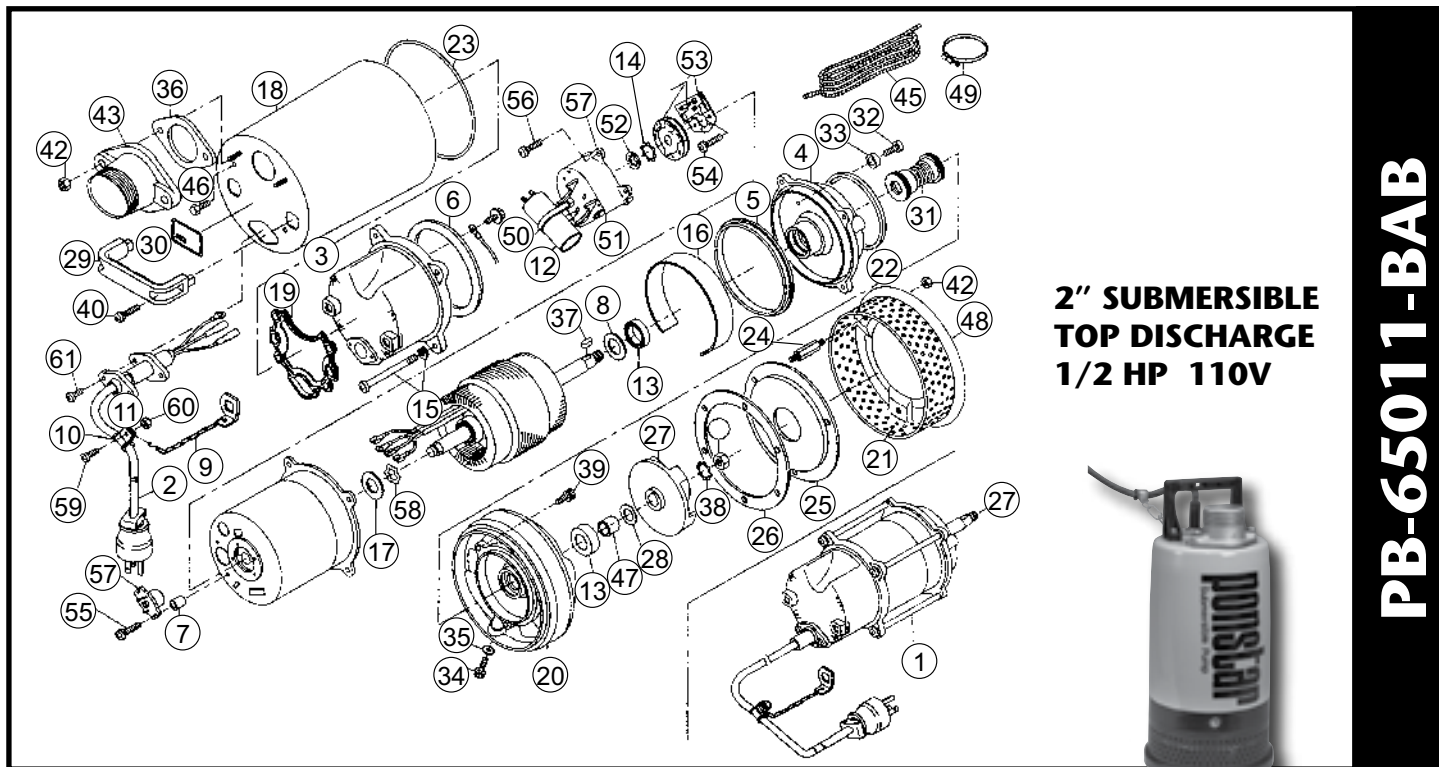
KOSHIN PUMP

PS-65011-CR-BAB

**2" SUBMERSIBLE
SIDE DISCHARGE
1/2 HP 110V**

| REF NO. | PART NO. | DESCRIPTION | QTY. | REF NO. | PART NO. | DESCRIPTION | QTY. |
|---------|-----------|-------------------------|------|---------|-----------|------------------|------|
| 1 | 0398104 | MOTOR ASSEMBLY | 1 | 25 | 0430299 | THRUST GASKET | 1 |
| 2 | 0390011 | CASING | 1 | 26 | 0390537 | THRUST WASHER | 1 |
| 3 | 0390016 | SUCTION COVER | 1 | 27 | 895154014 | OIL SEAL | 1 |
| 4 | 0390019 | SUCTION GASKET | 1 | 28 | 0390092 | DELIVERY GASKET | 1 |
| 5 | 0390017 | STRAINER | 1 | 29 | 0430143 | DELIVERY FLANGE | 1 |
| 6 | 0390030 | IMPELLER | 1 | 30 | 748119032 | HEX BOLT M6 x 20 | 2 |
| 7 | 0390025 | ADJUSTING WASHER | 2 | 31 | 0390473 | FRAME | 1 |
| 8 | 0390020 | STUD BOLT | 3 | 32 | 0390500 | SUPPORTER | 1 |
| 9 | 0390021 | HANDLE | 1 | 33 | 0390490 | WAVE WASHER | 1 |
| 10 | | LABEL | 1 | 34 | 0390475 | BRACKET | 1 |
| 11 | 0430243 | MECHANICAL SEAL | 1 | 35 | 0390578 | CONDENSER | 1 |
| 12 | 0340153 | SCREW M6 x 8 | 1 | 36 | 0390497 | SCREW M4 x 8 | 1 |
| 13 | 0340142 | SEAL RING | 1 | 37 | 0390149 | HEAD GASKET | 1 |
| 14 | 0390037 | HEX BOLT M10 x 12 | 1 | 38 | 0390494 | HEX BOLT M6 x 20 | 4 |
| 15 | 854255010 | SEAL WASHER | 1 | 39 | 0390566 | HEAD COVER | 1 |
| 16 | 889955100 | O-RING | 1 | 40 | 0390501 | HEAD BUSHING | 1 |
| 17 | 884205023 | KEY | 1 | 41 | 0390495 | SCREW M5 x 14 | 2 |
| 18 | 845205010 | TOOTHED WASHER | 1 | 42 | 0260018 | CORD BAND | 1 |
| 19 | 0390150 | HEX SOCKET BOLT M6 x 16 | 3 | 43 | 827305005 | HEX NUT M5 | 1 |
| 20 | 707605057 | SCREW M6 x 20 | 2 | 44 | 0390483 | SCREW M5 x 10 | 1 |
| 21 | 827405010 | HEX NUT M10 | 1 | 45 | 0390031 | CORD SUPPORTER | 1 |
| 22 | 827405008 | HEX NUT M8 | 3 | 46 | 0398106 | CHAIN ASSEMBLY | 1 |
| 23 | 0390101 | ROPE | 1 | 47 | 0430088 | POWER CORD | 1 |
| 24 | 940019060 | HOSE BAND | 1 | | | | |





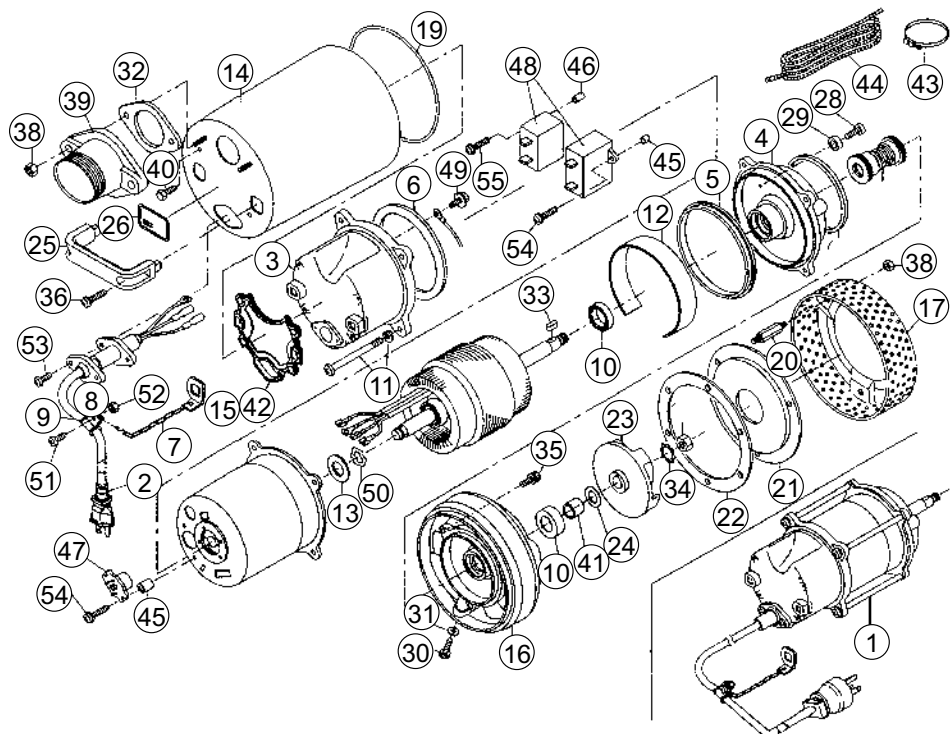
**2" SUBMERSIBLE
TOP DISCHARGE
1/2 HP 110V**

PB-65011-BAB

| REF NO. | PART NO. | DESCRIPTION | QTY. | REF NO. | PART NO. | DESCRIPTION | QTY. |
|---------|-----------|----------------------|------|---------|-----------|--------------------------|------|
| 1 | 0438011 | MOTOR ASSEMBLY | 1 | 31 | 0430243 | MECHANICAL SEAL | 1 |
| 2 | 0430088 | POWER CORD | 1 | 32 | 0340153 | SCREW | 1 |
| 3 | 0430012 | HEAD COVER | 1 | 33 | 0340142 | SEAL RING | 1 |
| 4 | 0430009 | FRONT BRACKET | 1 | 34 | 0390037 | HEX SOCKET BOLT M10 x 12 | 1 |
| 5 | 0430004 | FRAME GASKET | 1 | 35 | 854255010 | SEAL WASHER | 1 |
| 6 | 0430003 | HEAD GASKET | 1 | 36 | 0390092 | DELIVERY GASKET | 1 |
| 7 | 0430002 | SPACER | 2 | 37 | 884205023 | KEY | 1 |
| 8 | 0390026 | BEARING WASHER | 1 | 38 | 845205010 | TOOTHED WASHER | 1 |
| 9 | 0390027 | CHAIN ASSEMBLY | 1 | 39 | 0430044 | HEX SOCKET BOLT M6 x 20 | 3 |
| 10 | 0390031 | CORD SUPPORTER | 1 | 40 | 707605057 | SCREW | 2 |
| 11 | 0260018 | CORD BAND | 1 | 41 | 827405010 | NUT M10 | 1 |
| 12 | 0390002 | CONDENSER | 1 | 42 | 827405008 | NUT | 5 |
| 13 | 893555042 | OIL SEAL | 2 | 43 | 0390077 | DELIVERY FLANGE | 1 |
| 14 | 0390141 | TOOTHED WASHER | 1 | 45 | 0390101 | ROPE | 1 |
| 15 | 0430043 | SCREW | 4 | 46 | 747805028 | HEX BOLT M6 x 12 | 4 |
| 16 | 0430023 | SUPPORTER | 1 | 47 | 0430074 | SLEEVE | 1 |
| 17 | 0430082 | WASHER | 1 | 48 | 0430075 | BOTTOM PLATE | 1 |
| 18 | 0430008 | OUTER COVER | 1 | 49 | 940019060 | HOSE BAND | 1 |
| 19 | 0430013 | OUTER GASKET | 1 | 50 | 0390142 | BAND | 1 |
| 20 | 0430136 | CASING | 1 | 51 | 0430022 | CENT. FORCE SWITCH COVER | 1 |
| 21 | 0430007 | STRAINER | 1 | 52 | 888727008 | STOP RING | 1 |
| 22 | 889955100 | O-RING | 1 | 53 | 0390001 | CENT. FORCE SWITCH | 1 |
| 23 | 0430025 | O-RING | 1 | 54 | 707825018 | SCREW | 2 |
| 24 | 0430014 | STUD BOLT | 3 | 55 | 708219042 | SCREW | 2 |
| 25 | 0390016 | SUCTION COVER | 1 | 56 | 708119037 | SCREW | 2 |
| 26 | 0390019 | SUCTION COVER GASKET | 1 | 57 | 0390079 | THERMAL PROTECTOR | 1 |
| 27 | 0390030 | IMPELLER | 1 | 58 | 857627023 | WAVE WASHER | 1 |
| 28 | 0390025 | ADJUSTING WASHER | 2 | 59 | 703305100 | SCREW | 1 |
| 29 | 0430078 | HANDLE | 1 | 60 | 827305005 | NUT | 1 |
| 30 | | LABEL | 1 | 61 | 703305102 | SCREW | 2 |

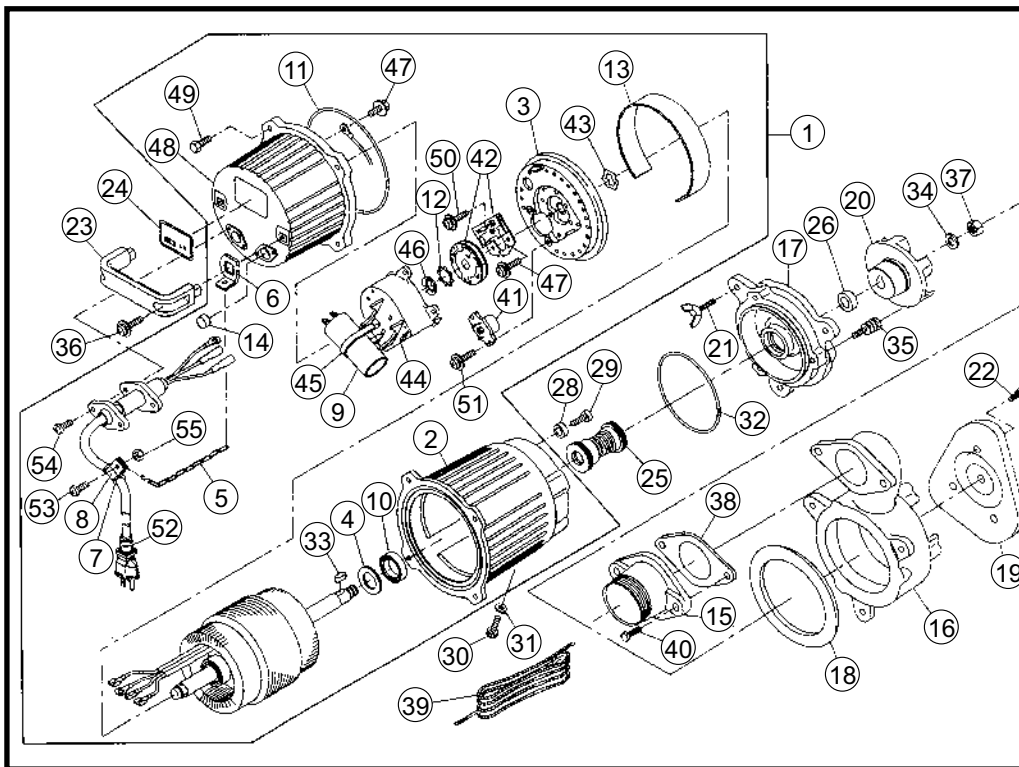


KOSHIN PUMP

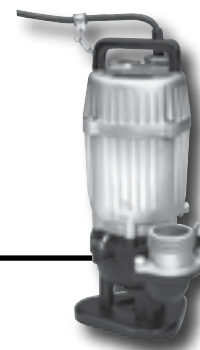
PB7-65011-BAB**2" SUBMERSIBLE
TOP DISCHARGE
1 HP 110V**

| REF NO. | PART NO. | DESCRIPTION | QTY. | REF NO. | PART NO. | DESCRIPTION | QTY. |
|---------|-----------|----------------------|------|---------|-----------|--------------------------|------|
| 1 | 0438048 | MOTOR ASSEMBLY | 1 | 28 | 0340153 | SCREW M6 x 8 | 1 |
| 2 | 0430232 | POWER CORD | 1 | 29 | 0340142 | SEAL RING | 1 |
| 3 | 0430012 | HEAD COVER | 1 | 30 | 0390037 | HEX SOCKET BOLT M10 x 12 | 1 |
| 4 | 0430220 | FRONT BRACKET | 1 | 31 | 854255010 | SEAL WASHER | 1 |
| 5 | 0430004 | FRAME GASKET | 1 | 32 | 0390092 | DELIVERY GASKET | 1 |
| 6 | 0430003 | HEAD GASKET | 1 | 33 | 884205023 | KEY | 1 |
| 7 | 0390027 | CHAIN ASSEMBLY | 1 | 34 | 845205010 | TOOTHED WASHER | 1 |
| 8 | 0260018 | CORD BAND | 1 | 35 | 0430044 | HEX SOCKET BOLT M6 x 20 | 3 |
| 9 | 0390031 | CORD SUPPORTER | 1 | 36 | 707605057 | SCREW M6 x 20 | 2 |
| 10 | 893555043 | OIL SEAL | 2 | 37 | 827405010 | HEX NUT M10 | 1 |
| 11 | 0430043 | SCREW M6 x 14 | 4 | 38 | 827405008 | HEX NUT M8 | 5 |
| 12 | 0430231 | SUPPORTER | 1 | 39 | 0430143 | DELIVERY FLANGE | 1 |
| 13 | 0430082 | WASHER | 1 | 40 | 747805028 | HEX BOLT M6 x 12 | 4 |
| 14 | 0430008 | OUTER COVER | 1 | 41 | 0430074 | SLEEVE | 1 |
| 15 | 0430013 | OUTER GASKET | 1 | 43 | 940019060 | HOSE BAND | 1 |
| 16 | 0430223 | CASING | 1 | 44 | 0390101 | ROPE | 1 |
| 17 | 0430225 | STRAINER | 1 | 45 | 0430294 | SPACER | 3 |
| 18 | 889955100 | O-RING | 1 | 46 | 0430295 | SPACER | 1 |
| 19 | 890155150 | O-RING | 1 | 47 | 0430293 | THERMAL PROTECTOR | 1 |
| 20 | 0430253 | STUD BOLT | 3 | 48 | 0430296 | CONDENSER | 2 |
| 21 | 0430226 | SUCTION COVER | 1 | 49 | 707819036 | SCREW M4 x 8 | 3 |
| 22 | 0430227 | SUCTION COVER GASKET | 1 | 50 | 0430082 | WAVE WASHER | 1 |
| 23 | 0430234 | IMPELLER | 1 | 51 | 703305100 | SCREW M5 x 10 | 1 |
| 24 | 0390025 | ADJUSTING WASHER | 2 | 52 | 827305005 | HEX NUT M5 | 1 |
| 25 | 0430078 | HANDLE | 1 | 53 | 703305102 | SCREW M5 x 14 | 2 |
| 26 | | LABEL | 1 | 54 | 708119039 | SCREW M4 x 14 | 3 |
| 27 | 0390003 | MECHANICAL SEAL | 1 | 55 | 708119041 | SCREW M4 x 20 | 1 |





**2" SUBMERSIBLE
TRASH
SIDE DISCHARGE
1/2 HP 110V**



PKS-65011-BAB-0

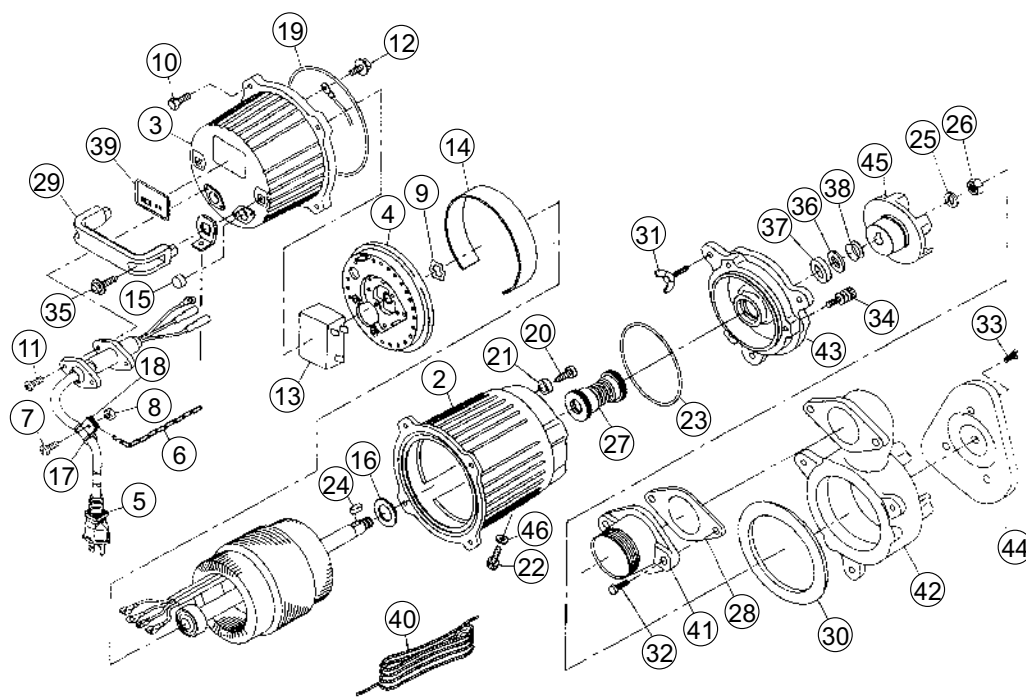
| REF NO. | PART NO. | DESCRIPTION | QTY. |
|---------|-----------|-------------------|------|
| 2 | 0390253 | FRAME | 1 |
| 3 | 0390018 | BRACKET | 1 |
| 4 | 0390026 | BEARING WASHER | 1 |
| 5 | 0390027 | CHAIN ASSEMBLY | 1 |
| 7 | 0390031 | CORD SUPPORTER | 1 |
| 8 | 0260018 | CORD BAND | 1 |
| 9 | 0390002 | CONDENSER | 1 |
| 10 | 893555043 | OIL SEAL | 1 |
| 11 | 0390149 | HEAD GASKET | 1 |
| 12 | 0390141 | TOOTHED WASHER | 1 |
| 13 | 0390304 | SUPPORTER | 1 |
| 14 | 0390039 | HEAD BUSHING | 1 |
| 15 | 0430143 | DELIVERY FLANGE | 1 |
| 16 | 0390161 | CASING | 1 |
| 17 | 0390162 | FRONT BRACKET | 1 |
| 18 | 0390168 | CASING GASKET | 1 |
| 19 | 0390311 | BOTTOM PLATE | 1 |
| 20 | 0390164 | IMPELLER | 1 |
| 21 | 740705124 | WING BOLT M8 x 25 | 3 |
| 22 | 743105045 | HEX BOLT M8 x 20 | 3 |
| 23 | 0390021 | HANDLE | 1 |
| 24 | | LABEL | 1 |
| 25 | 0430243 | MECHANICAL SEAL | 1 |
| 26 | 893155031 | OIL SEAL | 1 |
| 28 | 0340142 | SEAL RING | 1 |
| 29 | 0390153 | SCREW M6 x 8 | 1 |

| REF NO. | PART NO. | DESCRIPTION | QTY. |
|---------|-----------|--------------------------|------|
| 30 | 0390037 | HEX SOCKET BOLT M10 x 12 | 3 |
| 31 | 854255010 | SEAL WASHER M10 | 1 |
| 32 | 889855100 | O-RING | 1 |
| 33 | 884205023 | KEY | 1 |
| 34 | 843805010 | SPRING WASHER M10 | 1 |
| 35 | 0390215 | HEX SOCKET BOLT M6 x 25 | 3 |
| 36 | 707605057 | SCREW M6 x 20 | 2 |
| 37 | 827405010 | HEX NUT M10 | 1 |
| 38 | 0390092 | DELIVERY GASKET | 1 |
| 39 | 0390101 | ROPE | 1 |
| 40 | 743105047 | HEX BOLT M8 x 25 | 2 |
| 41 | 0390079 | THERMAL PROTECTOR | 1 |
| 42 | 0390001 | CENT. FORCE SWITCH | 1 |
| 43 | 857627033 | WAVE WASHER | 1 |
| 44 | 0390028 | CENT. FORCE COVER | 1 |
| 45 | 0390142 | BAND | 1 |
| 46 | 888727008 | STOP RING | 1 |
| 47 | 707819036 | SCREW M4 x 8 | 3 |
| 48 | 0390015 | HEAD COVER | 1 |
| 49 | 743105032 | HEX BOLT M6 x 20 | 4 |
| 50 | 707825018 | SCREW M3 x 6 | 2 |
| 51 | 708119037 | SCREW M4 x 10 | 2 |
| 52 | 0430088 | POWER CORD | 1 |
| 53 | 703305100 | SCREW M5 x 10 | 1 |
| 54 | 703305102 | SCREW M5 x 14 | 2 |
| 55 | 827305005 | HEX NUT M5 | 1 |



KOSHIN PUMP

PKS-65011-CR



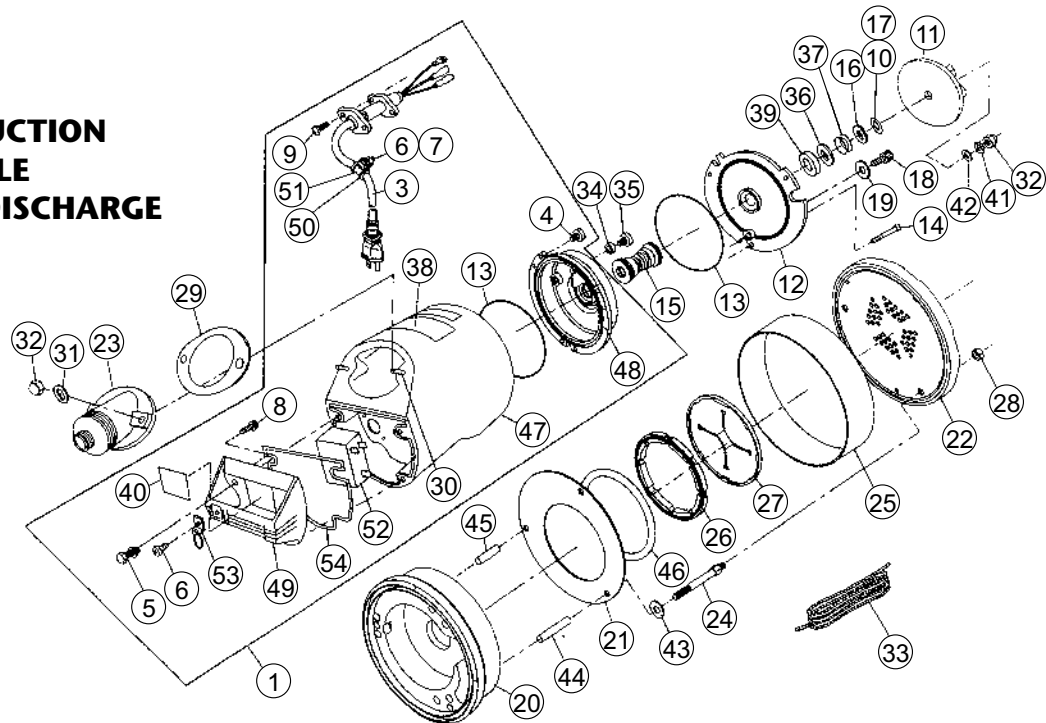
**2" SUBMERSIBLE TRASH
SIDE DISCHARGE
1/2 HP 110VAC**

| REF NO. | PART NO. | DESCRIPTION | QTY. |
|---------|----------|--------------------------|------|
| 2 | 0390473 | FRAME | 1 |
| 3 | 0390566 | HEAD COVER | 1 |
| 4 | 0390475 | BRACKET | 1 |
| 5 | 0430088 | POWER CORD | 1 |
| 6 | 0398106 | CHAIN ASSEMBLY | 1 |
| 7 | 0390483 | SCREW M5 x 10 | 1 |
| 8 | 0390484 | HEX NUT M5 | 1 |
| 9 | 0390490 | WAVE WASHER | 1 |
| 10 | 0390494 | HEX BOLT M6 x 20 | 4 |
| 11 | 0390495 | SCREW M5 x 14 | 2 |
| 12 | 0390497 | SCREW M4 x 8 | 1 |
| 13 | 0390578 | CONDENSER | 1 |
| 14 | 0390500 | SUPPORTER | 1 |
| 15 | 0390501 | HEAD BUSHING | 1 |
| 16 | 0390590 | BEARING WASHER | 1 |
| 17 | 0390031 | CORD SUPPORTER | 1 |
| 18 | 0260018 | CORD BAND | 1 |
| 19 | 0390149 | HEAD GASKET | 1 |
| 20 | 0340153 | SCREW M6 x 8 | 1 |
| 21 | 0340142 | SEAL RING | 1 |
| 22 | 0390516 | HEX SOCKET BOLT M10 x 12 | 1 |
| 23 | 0390518 | O-RING | 1 |
| 24 | 0390519 | KEY | 1 |

| REF NO. | PART NO. | DESCRIPTION | QTY. |
|---------|-----------|-------------------------|------|
| 25 | 843805010 | SPRING WASHER M10 | 1 |
| 26 | 0390523 | HEX NUT M10 | 1 |
| 27 | 0390511 | MECHANICAL SEAL | 1 |
| 28 | 0390559 | DELIVERY GASKET | 1 |
| 29 | 0390509 | HANDLE | 1 |
| 30 | 0390551 | CASING GASKET | 1 |
| 31 | 0390554 | WING BOLT M8 x 25 | 3 |
| 32 | 0390555 | HEX BOLT M8 x 25 | 2 |
| 33 | 0390556 | HEX BOLT M8 x 20 | 3 |
| 34 | 0390557 | HEX SOCKET BOLT M6 x 25 | 3 |
| 35 | 0390552 | SCREW M6 x 20 | 2 |
| 36 | 0390571 | THRUST WASHER | 1 |
| 37 | 0390570 | THRUST WASHER GASKET | 1 |
| 38 | 0390575 | OIL SEAL | 1 |
| 39 | | LAB EL | 1 |
| 40 | 0390101 | ROPE | 1 |
| 41 | 0430143 | DELIVERY FLANGE | 1 |
| 42 | 0390161 | CASING | 1 |
| 43 | 0390162 | FRONT BRACKET | 1 |
| 44 | 0390311 | BOTTOM PLATE | 1 |
| 45 | 0390164 | IMPELLER | 1 |
| 46 | 854255010 | SEAL WASHER | 1 |



**2" BOTTOM SUCTION
SUBMERSIBLE
TOP OR SIDE DISCHARGE
1/2 HP 110V**



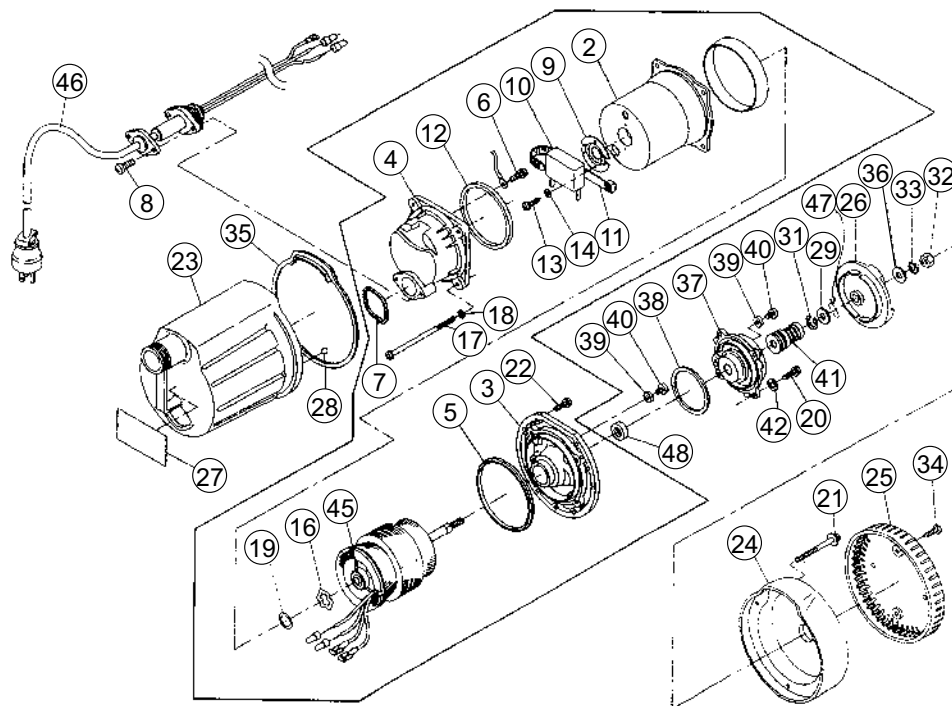
PXL-65011-BAB

| REF NO. | PART NO. | DESCRIPTION | QTY. | REF NO. | PART NO. | DESCRIPTION | QTY. |
|---------|-----------|--------------------------|------|---------|-----------|----------------------|------|
| 1 | 0438101 | MOTOR ASSEMBLY | 1 | 29 | 0430283 | DELIVERY GASKET | 1 |
| 3 | 0430308 | POWER CORD | 1 | 30 | 0430290 | STUD BOLT M8 x 70 | 2 |
| 4 | 734605035 | HEX BOLT M5 x 18 | 3 | 31 | 846007008 | WASHER | 2 |
| 5 | 0430406 | HEX BOLT M6 x 18 | 4 | 32 | 835305008 | CAP NUT | 3 |
| 6 | 703305100 | SCREW M5 x 10 | 2 | 33 | 0390101 | ROPE | 1 |
| 7 | 0430409 | NUT M5 | 1 | 34 | 0340142 | SEAL RING | 1 |
| 8 | 707820074 | SCREW M4 x 6 | 1 | 35 | 0340153 | SCREW M6 x 8 | 1 |
| 9 | 703305102 | SCREW M5 x 14 | 2 | 36 | 0340277 | THRUST WASHER | 1 |
| 10 | 0430441 | ADJUSTING WASHER | 3 | 37 | 895154014 | OIL SEAL | 1 |
| 11 | 0430280 | IMPELLER | 1 | 38 | | LABEL | 1 |
| 12 | 0430271 | FRONT COVER | 1 | 39 | 0430299 | THRUST WASHER GASKET | 1 |
| 13 | 889955125 | O-RING | 1 | 40 | | LABEL | 1 |
| 14 | 734505037 | HEX SOCKET BOLT M5 x 20 | 3 | 41 | 845305008 | TOOTHED WASHER | 1 |
| 15 | 0430243 | MECHANICAL SEAL | 1 | 42 | 846505008 | WASHER | 1 |
| 16 | 0430300 | ADJUSTING WASHER | 1 | 43 | 854255008 | SEAL WASHER | 3 |
| 18 | 0390037 | HEX SOCKET BOLT M10 x 12 | 1 | 44 | 0430361 | SPACER (LONG) | 2 |
| 19 | 854255010 | SEAL WASHER | 1 | 45 | 0430362 | SPACER (SHORT) | 1 |
| 20 | 0430334 | CASING | 1 | 46 | 0430360 | SUCTION COVER GASKET | 1 |
| 21 | 0430329 | SUCTION COVER | 1 | 47 | 0430266 | MOTOR FRAME | 1 |
| 22 | 0430241 | BOTTOM STRAINER | 1 | 48 | 0430267 | BRACKET | 1 |
| 23 | 0430367 | DELIVERY FLANGE | 1 | 49 | 0430268 | HANDLE | 1 |
| 24 | 0430242 | STUD BOLT | 3 | 50 | 0390031 | CORD SUPPORTER | 1 |
| 25 | 0430236 | STRAINER STAND | 1 | 51 | 0260018 | CORD BAND | 1 |
| 26 | 0430239 | SEAL RING | 1 | 52 | 0430392 | CONDENSER | 1 |
| 27 | 0430331 | CHECK VALVE | 1 | 53 | 0438066 | CHAIN ASSEMBLY | 1 |
| 28 | 827405008 | NUT M8 | 3 | 54 | 0430401 | HEAD GASKET | 1 |



KOSHIN PUMP

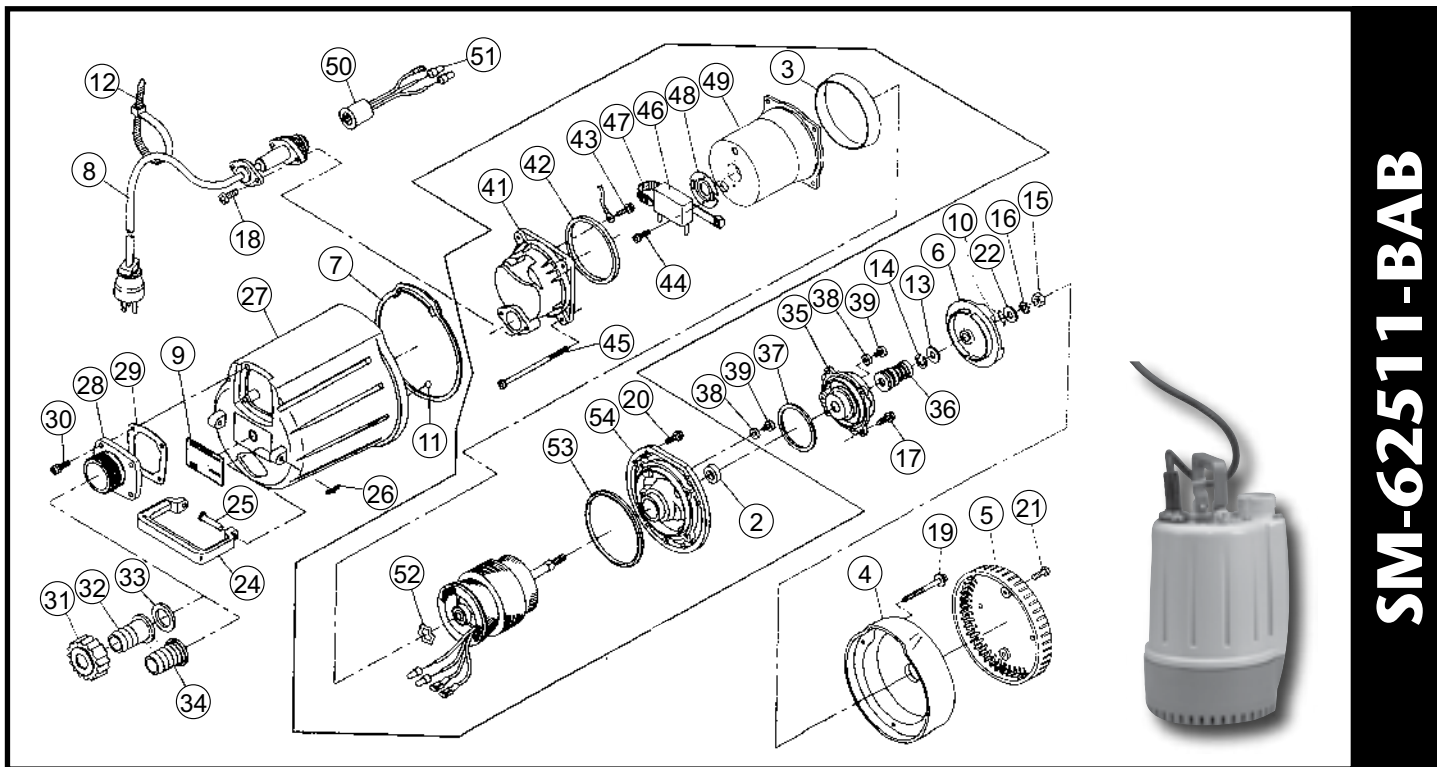
NSM-62011-BAB



3/4" GARDEN HOSE SUBMERSIBLE 1/6 HP 110 V

| REF NO. | PART NO. | DESCRIPTION | QTY. | REF NO. | PART NO. | DESCRIPTION | QTY. |
|---------|-----------|-----------------------|------|---------|-----------|----------------------|------|
| 1 | 0348150 | MOTOR ASSEMBLY | 1 | 24 | 0340015 | CASING | 1 |
| 2 | 0340196 | MOTOR FRAME | 1 | 25 | 0340042 | STRAINER | 1 |
| 3 | 0340199 | FRONT BRACKET | 1 | 26 | 0340210 | IMPELLER | 1 |
| 4 | 0340202 | HEAD COVER | 1 | 27 | | LABEL | 1 |
| 5 | 0340206 | FRAME GASKET | 1 | 28 | 0340265 | BALL | 1 |
| 6 | 704119074 | SCREW M4 x 8 | 1 | 29 | 0140251 | ADJUSTING WASHER | 2 |
| 7 | 0340327 | OUTER GASKET | 1 | 31 | 888705006 | STOP RING | 1 |
| 8 | 703305102 | SCREW M5 x 14 | 2 | 32 | 827405006 | HEX NUT M6 | 1 |
| 9 | 0340217 | BEARING PLATE | 1 | 33 | 845205006 | TOOTHED WASHER | 1 |
| 10 | 0340328 | CONDENSER | 1 | 34 | 718505035 | TAPPING SCREW 4 x 12 | 2 |
| 11 | 0341092 | BAND | 1 | 35 | 0340774 | CASING GASKET | 1 |
| 12 | 0340208 | HEAD GASKET | 1 | 36 | 846205006 | WASHER | 1 |
| 13 | 703319050 | SCREW M3 x 6 | 2 | 37 | 0340187 | MECHANICAL BOX | 1 |
| 14 | 843819003 | SPRING WASHER | 2 | 38 | 0340209 | MECHANICAL GASKET | 1 |
| 16 | 857627608 | WAVE WASHER | 1 | 39 | 0340142 | SEAL RING | 2 |
| 17 | 0341093 | SCREW M5 x 92 | 4 | 40 | 0340153 | SCREW M6 x 8 | 2 |
| 18 | 843805505 | SPRING WASHER | 4 | 41 | 0340923 | MECHANICAL SEAL | 1 |
| 19 | 0341094 | THRUST WASHER | 1 | 42 | 846205005 | WASHER | 4 |
| 20 | 0340918 | SCREW M5 x 12 | 4 | 45 | 911806008 | BEARING | 2 |
| 21 | 0340925 | TAPPING SCREW M4 x 60 | 3 | 46 | 0341033 | POWER CORD | 1 |
| 22 | 718505056 | TAPPING SCREW M5 x 20 | 6 | 47 | 0340329 | IMPELLER COLLAR | 1 |
| 23 | 0341022 | OUTER COVER | 1 | 48 | 0340922 | OIL SEAL | 1 |





SM-62511-BAB

**1-1/4" SUBMERSIBLE
TOP DISCHARGE 1/5 HP 110V**

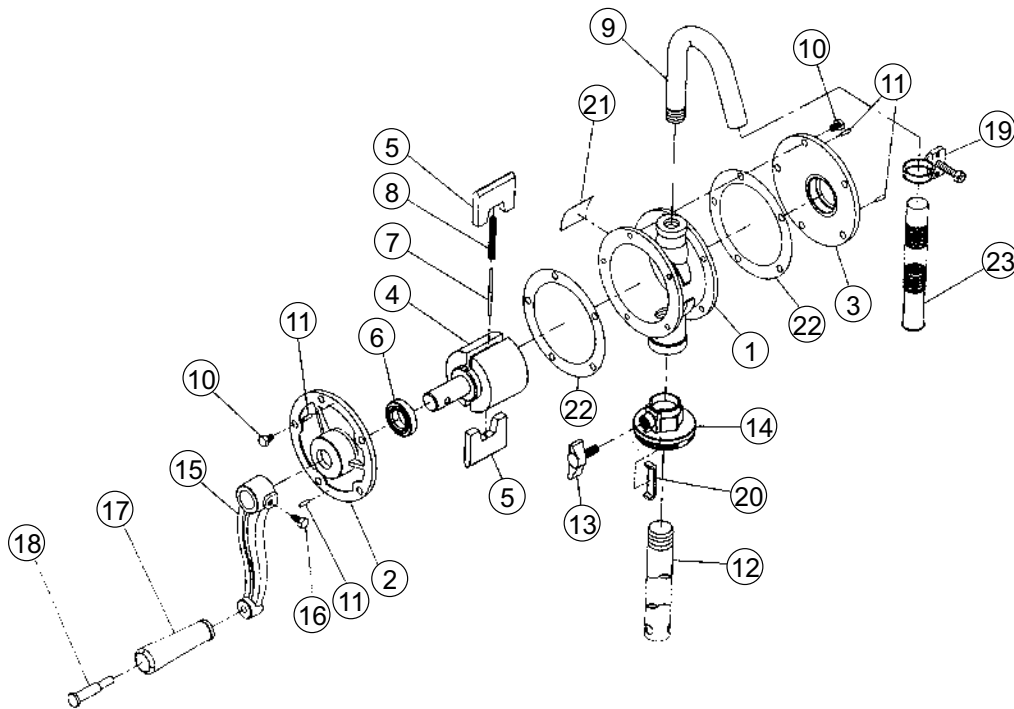
| REF NO. | PART NO. | DESCRIPTION | QTY. |
|---------|-----------|-----------------------|------|
| 2 | 893555008 | OIL SEAL | 1 |
| 3 | 0340241 | MOTOR SUPPORTER | 1 |
| 4 | 0340020 | CASING | 1 |
| 5 | 0340043 | STRAINER | 1 |
| 6 | 0340214 | IMPELLER | 1 |
| 7 | 0340243 | CASING GASKET | 1 |
| 8 | 0340494 | POWER CORD | 1 |
| 9 | | NAME PLATE | 1 |
| 10 | 846205006 | WASHER | 1 |
| 11 | 0340265 | BALL | 1 |
| 12 | 0340227 | BAND | 1 |
| 13 | 014251 | ADJUSTING WASHER | 2 |
| 14 | 888705006 | STOP RING | 1 |
| 15 | 827405006 | NUT M6 | 1 |
| 16 | 845205006 | TOOTHED WASHER | 1 |
| 17 | 707805046 | SCREW M5 x 12 | 4 |
| 18 | 703305139 | SCREW M5 x 18 | 2 |
| 19 | 0340597 | TAPPING SCREW M5 x 62 | 3 |
| 20 | 0340143 | SCREW M5 x 22 | 6 |
| 21 | 718505054 | SCREW M5 x 14 | 2 |
| 22 | 0340329 | IMPELLER COLLAR | 1 |
| 24 | 0340160 | HANDLE | 1 |
| 25 | 0340162 | RIVET | 2 |
| 26 | 0340114 | SNAP PIN | 2 |
| 27 | 0340198 | OUTER COVER | 1 |
| 28 | 0340193 | DELIVERY FLANGE | 1 |

| REF NO. | PART NO. | DESCRIPTION | QTY. |
|---------|-----------|------------------------|------|
| 29 | 0340040 | DELIVERY FLANGE GASKET | 1 |
| 30 | 0340223 | TAPPING SCREW M5 x 20 | 4 |
| 31 | 0340793 | COUPLING | 1 |
| 32 | 0340792 | HOSE NIPPLE | 1 |
| 33 | 0340066 | COUPLING GASKET | 1 |
| 34 | 0340791 | SCREW NIPPLE 32 x 20 | 4 |
| 35 | 0340187 | MECHANICAL BOX | 1 |
| 36 | 0340012 | MECHANICAL SEAL | 1 |
| 37 | 0340209 | MECHANICAL GASKET | 1 |
| 38 | 0340142 | SEAL RING | 2 |
| 39 | 0340153 | SCREW M6 x 8 | 2 |
| 41 | 0340189 | HEAD COVER | 1 |
| 42 | 0340207 | HEAD GASKET | 1 |
| 43 | 707819036 | SCREW M6 x 8 | 1 |
| 44 | 707819018 | SCREW M3 x 6 | 2 |
| 45 | 0340366 | SCREW M5 x 100 | 4 |
| 46 | 0340218 | CONDENSER | 1 |
| 47 | 0340227 | BAND | 1 |
| 48 | 0340217 | BEARING PLATE | 1 |
| 49 | 0340190 | MOTOR FRAME | 1 |
| 50 | 0340341 | CONNECTOR | 1 |
| 51 | 944500001 | TERMINAL | 1 |
| 52 | 845205006 | WAVE WASHER | 1 |
| 53 | 0340205 | FRAME GASKET | 1 |
| 54 | 0340188 | FRONT BRACKET | 1 |



KOSHIN PUMP

SB-25-BAG

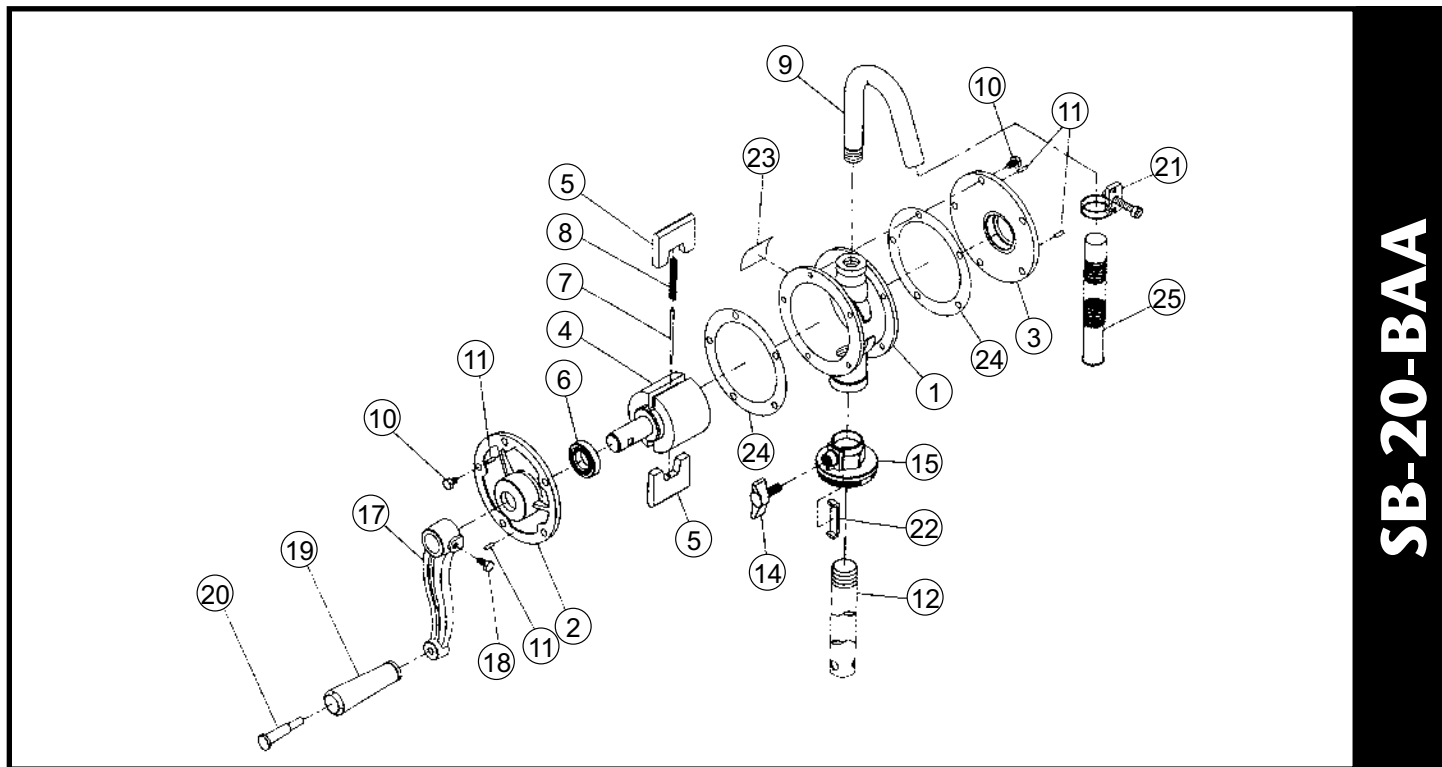


1" MANUAL DRUM PUMP



| REF NO. | PART NO. | DESCRIPTION | QTY. |
|---------|-----------|-----------------------------------|------|
| 1 | 0010022 | PUMP BODY | 1 |
| 2 | 0010023 | FRONT COVER | 1 |
| 3 | 0010024 | REAR COVER | 1 |
| 4 | 0010025 | SHAFT | 1 |
| 5 | 0010029 | IMPELLER SET | 1 |
| 6 | 0010044 | OIL SEAL | 1 |
| 7 | 0010032 | SPRING PIN | 1 |
| 8 | 0010031 | SPRING | 1 |
| 9 | 0010030 | BEND/SPOUT | 1 |
| 10 | 735718145 | HEX BOLT M8 x 14 | 10 |
| 11 | 0010171 | TAPER PIN | 4 |
| 12 | 0010059 | SUCTION PIPE | 1 |
| 13 | | WING BOLT | 1 |
| 14 | 0018013 | BUNGE ADAPTOR (Incl. 14, 13, 20) | 1 |
| 15 | 0018012 | HANDLE KIT (Incl. 15, 16, 17, 18) | 1 |
| 16 | | HEX BOLT M8 x 20 | 1 |
| 17 | | GRIP/HANDLE | 1 |
| 18 | | HANDLE RIVET | 1 |
| 19 | 940019028 | HOSE BAND | 1 |
| 20 | | STOPPER | 1 |
| 21 | | NAME PLATE | 1 |
| 22 | 0010035 | COVER GASKET | 2 |
| 23 | 0010123 | DELIVERY HOSE | 1 |





SB-20-BAA

3/4" MANUAL DRUM PUMP

| REF NO. | PART NO. | DESCRIPTION | QTY. |
|---------|-----------|-----------------------------------|------|
| 1 | 0010001 | PUMP BODY | 1 |
| 2 | 0010002 | FRONT COVER | 1 |
| 3 | 0010003 | REAR COVER | 1 |
| 4 | 0010004 | SHAFT | 1 |
| 5 | 0010130 | IMPELLER SET | 1 |
| 6 | 0010020 | OIL SEAL | 1 |
| 7 | 0010011 | SPRING PIN | 1 |
| 8 | 0010010 | SPRING | 1 |
| 9 | 0010009 | BEND/SPOUT | 1 |
| 10 | 735718098 | HEX BOLT M6 x 12 | 10 |
| 11 | 0010170 | TAPER PIN | 4 |
| 12 | 0010058 | SUCTION PIPE | 1 |
| 14 | 0018010 | BUNGE ADAPTOR (Incl. 14, 15, 22) | 1 |
| 15 | | LARGE SCREW | 1 |
| 17 | 0018009 | HANDLE KIT (Incl. 17, 18, 19, 20) | 1 |
| 18 | | HEX BOLT M8 x 16 | 1 |
| 19 | | GRIP/HANDLE | 1 |
| 20 | | HANDLE RIVET | 1 |
| 21 | 940019022 | HOSE BAND | 1 |
| 22 | | STOPPER | 1 |
| 23 | | NAME PLATE | 1 |
| 24 | 0010091 | COVER GASKET | 2 |
| 25 | 0010124 | DELIVERY HOSE | 1 |



KOSHIN PUMP